

# Barudan

**HIGH SPEED AUTOMATIC EMBROIDERY MACHINE**

**MODEL** **BEMR-YN**  
**BEMS-YN**  
**BEMX-YN**

## **PARTS LIST**

**BARUDAN CO., LTD.**

ADDRESS 906 JOSUJI  
ICHINOMIYA-CITY · AICHI-PREF ·  
JAPAN

TEL. <0586>76-1137  
FAX. <0586>77-1499  
TELEX 4573268 BARUNA J  
CABLE BARUNA ICHINOMIYA



BEMR-YN • BEMS-YN  
BEMX-YN

HIGH SPEED AUTOMATIC EMBROIDERY  
MACHINE PARTS LIST

CONTENTS

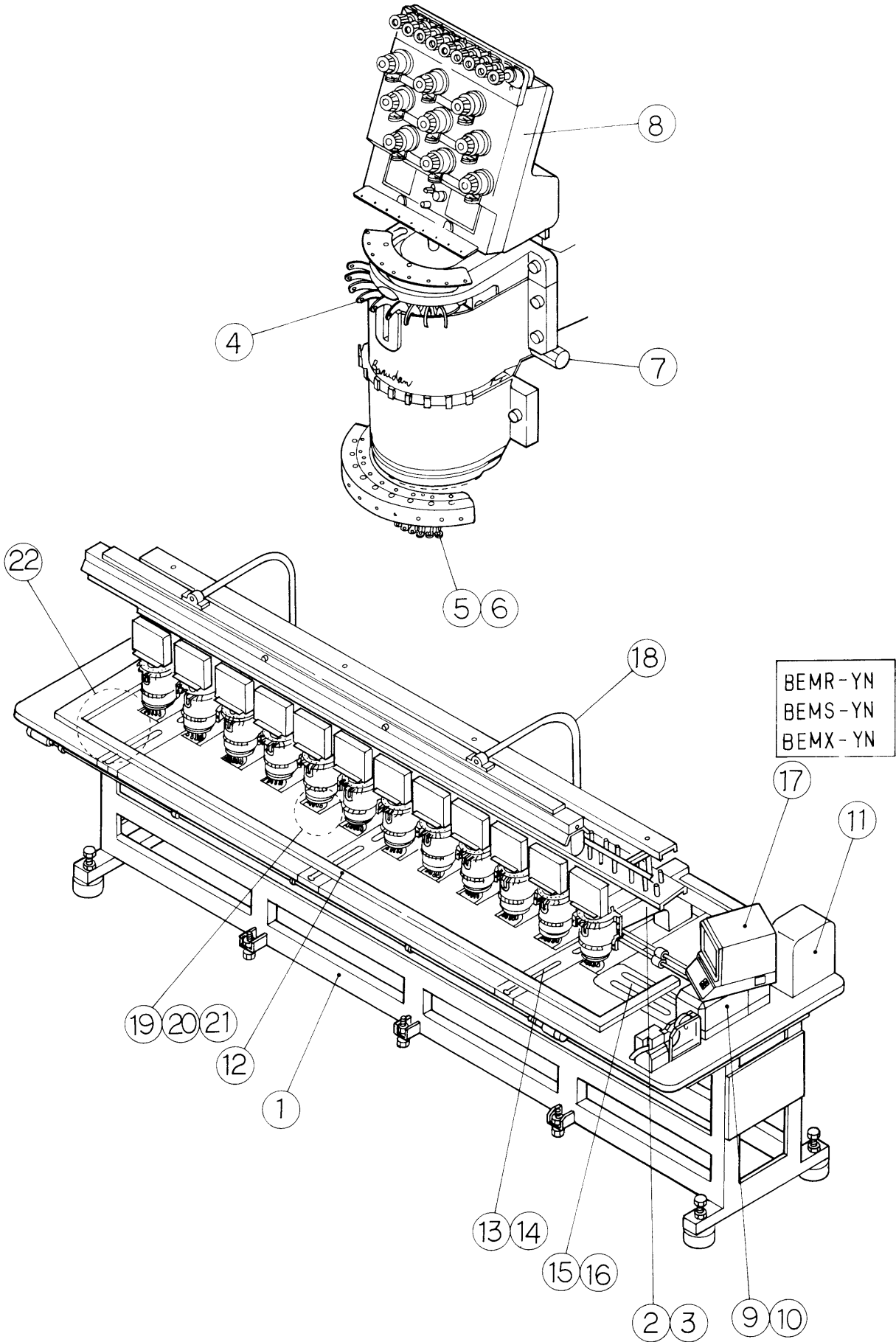
ITEM No.	Page No.
Machine layout ( BEMR-YN BEMS-YN BEMX-YN ) .....	1
① Table • Frame .....	2
② Sewing head a' ssy I .....	4
③ Sewing head a' ssy II .....	6
④ Take up lever mechanism .....	8
⑤ Needle bar mechanism I .....	1 0
⑥ Needle bar mechanism II .....	1 2
⑦ Jump mechanism .....	1 4
⑧ Thread guide mechanism .....	1 6
⑨ Color change mechanism I .....	1 8
⑩ Color change mechanism II .....	2 0
⑪ Drive mechanism .....	2 2
⑫ Pantograph drive mechanism I (V • H-Direction).....	2 4
⑬ Pantograph drive mechanism II (H-Direction • Front) .....	2 6
⑭ Pantograph drive mechanism III (H-Direction • Drive) .....	2 8
⑮ Pantograph drive mechanism IV (V-Direction • Drive) .....	3 0
⑯ Pantograph drive mechanism V (V-Direction • Rail base relation) .....	3 2
⑰ Control system < B E M R - Y N > .....	3 4
⑰ Control system < B E M S - Y N > .....	3 6
⑰ Control system < B E M X - Y N > .....	3 8
⑱ Option .....	4 0
⑲ Automatic thread cutting mechanism I (Thread cutting section) .....	4 2
⑳ Automatic thread cutting mechanism II (Thread away section) .....	4 4
㉑ Automatic thread cutting mechanism III (Thread support section) .....	4 6
㉒ Automatic thread cutting mechanism IV (Thread cutting drive section) .....	4 8
㉓ Thread guide mechanism (Lower thread sensorium) .....	5 0
INDEX .....	5 2

Please specify, in the following manner, your machine model, manufacturing number and embroidery space when you order us with the parts having ※ at the end of the part No.:

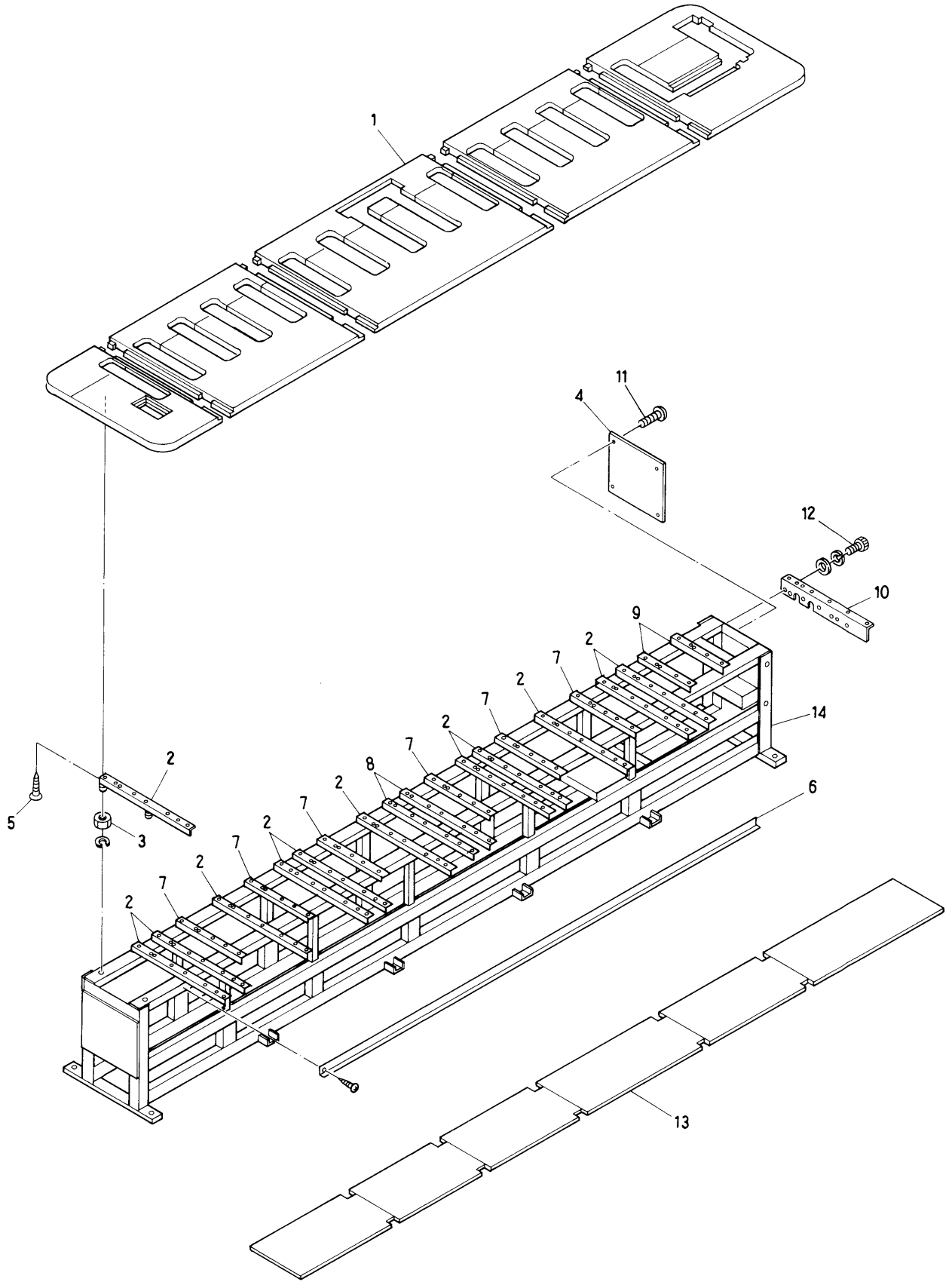


Barudan

Machine layout ( BEMR-YN  
BEMS-YN  
BEMX-YN )

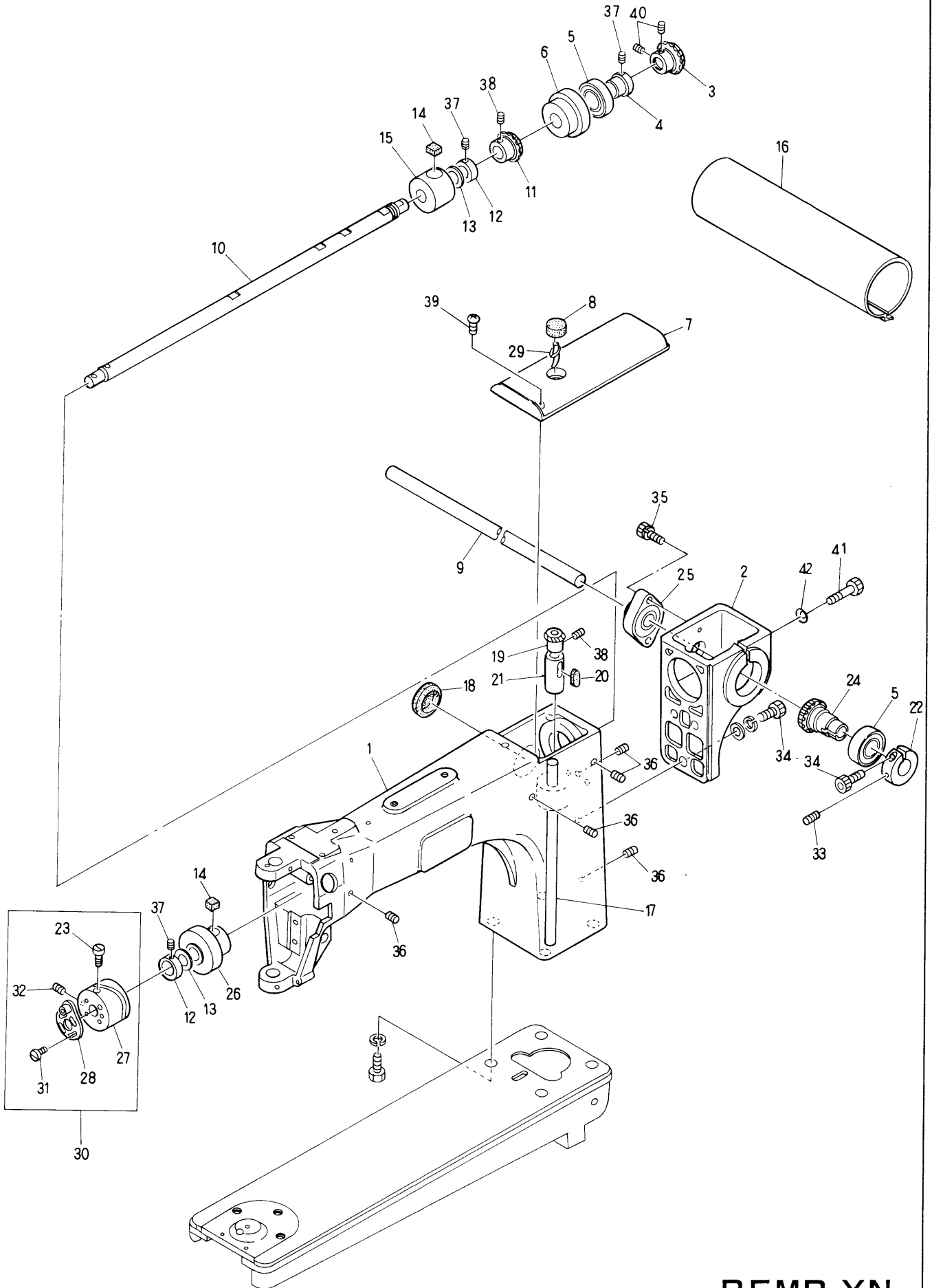


MODEL BEMR-YN  
BEMS-YN  
BEMX-YN



MODEL  
**BEMR-YN**  
**BEMS-YN**  
**BEMX-YN**





MODEL

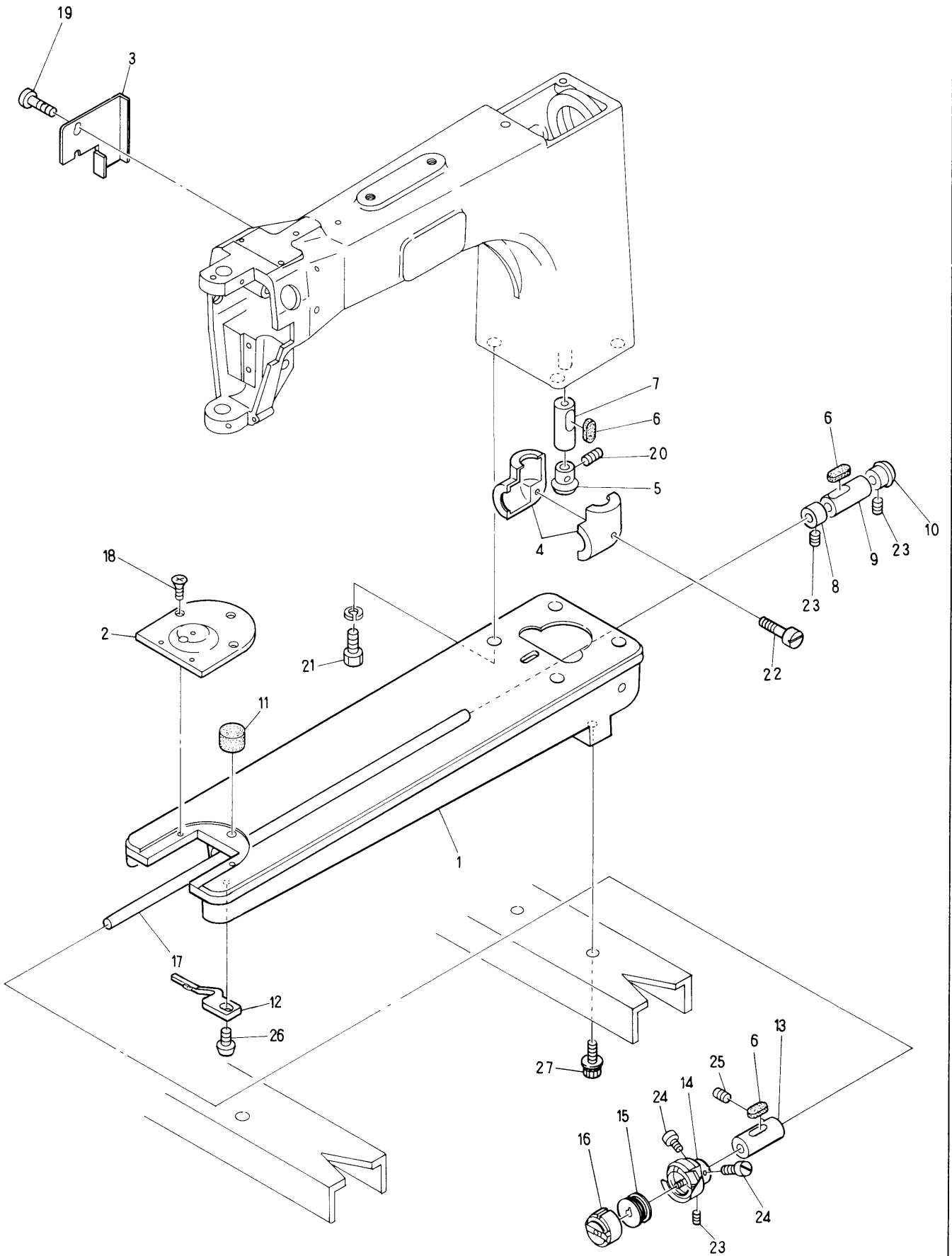
BEMR-YN  
BEMS-YN  
BEMX-YN



② Sewing head a' ssy I

(※Change the LIST No. by machine type)(H=Head Q'TY)

ITEM	LIST No.	DESCRIPTION	Q'TY	REMARK
1	KB210160	Arm	H×1	
2	KL210140	Arm gear case	H×1	
3	KL220100	Top shaft (Spiral bevel M1.5-25R)	H×1	
4	KL220090	Top shaft bearing collar (Rear)	H×1	
5	A9010017	Bearing (6004ZZ)	H×2	
6	KL220040	Top Shaft bearing case (Rear)	H×1	
7	KL250040	Arm top cover	H×1	
8	KL220150	Oil felt D	H×1	
9	KC320820	Top shaft connecting shaft 15×5700		
10	KL220000	Top shaft	H×1	
11	KF220130	Bevel gear (Top Shaft)	H×1	
12	KL220080	Top shaft collar	H×2	
13	HP231390	Thrust washer (Top Shaft gear)	H×2	
14	KL220130	Oil felt B	H×2	
15	KL220030	Top felt metal (Middle)	H×1	
16	1PKB15320350	Connecting shaft cover set (MS-15 320/350)	1 SET	※
17	KL220010	Vertical shaft	H×1	
18	A9014063	Grommet C-30-SG-36A	H×1	
19	KF220460	Bevel gear (Vertical Shaft upper)	H×1	
20	KL220140	Oil felt C	H×1	
21	KL220050	Vertical metal (Upper)	H×1	
22	KL320020	Connecting gear clamp φ19	H×1	
23	KF230420	Take up lever cam set screw	H×1	
24	KL320000	Connecting gear (Spiral bevel M1.5-25L)	H×1	
25	HP321140	Upper Connecting shaft bearing unit	H×1	
26	KL220020	Top shaft metal (Front)	H×1	
27	KB230030	Take up lever cam K6	H×1	For small bobbin
	KB230040	Take up lever cam L1	H×1	For middle bobbin
28	KB230050	90° Crank	H×1	
29	KC251330	Oil core L=75	H×1	
30	KB230011	Take up lever cam K6 90°	H×1	For small bobbin
	KB230021	Take up lever cam L1 90°	H×1	For middle bobbin
31	A9012007	Screw (SM11/64 40×10)	H×6	
32		Screw (SM15/64 28×10) Lock	H×1	
33		Hex. socket set screw M6×10		
34		Hex. socket bolt M6×25		
35		Hex. socket bolt M6×35 (With spring washer)		
36		Hex. socket screw M6×8		
37		Hex. socket set screw M6×6		
38		Screw (SM1/4 40×4)		
39		Truss screw M4×10		
40		Hex. socket set screw M6×6 (With adhesion)		
41		Hex. socket bolt M6×60		
42		Disc spring M6		



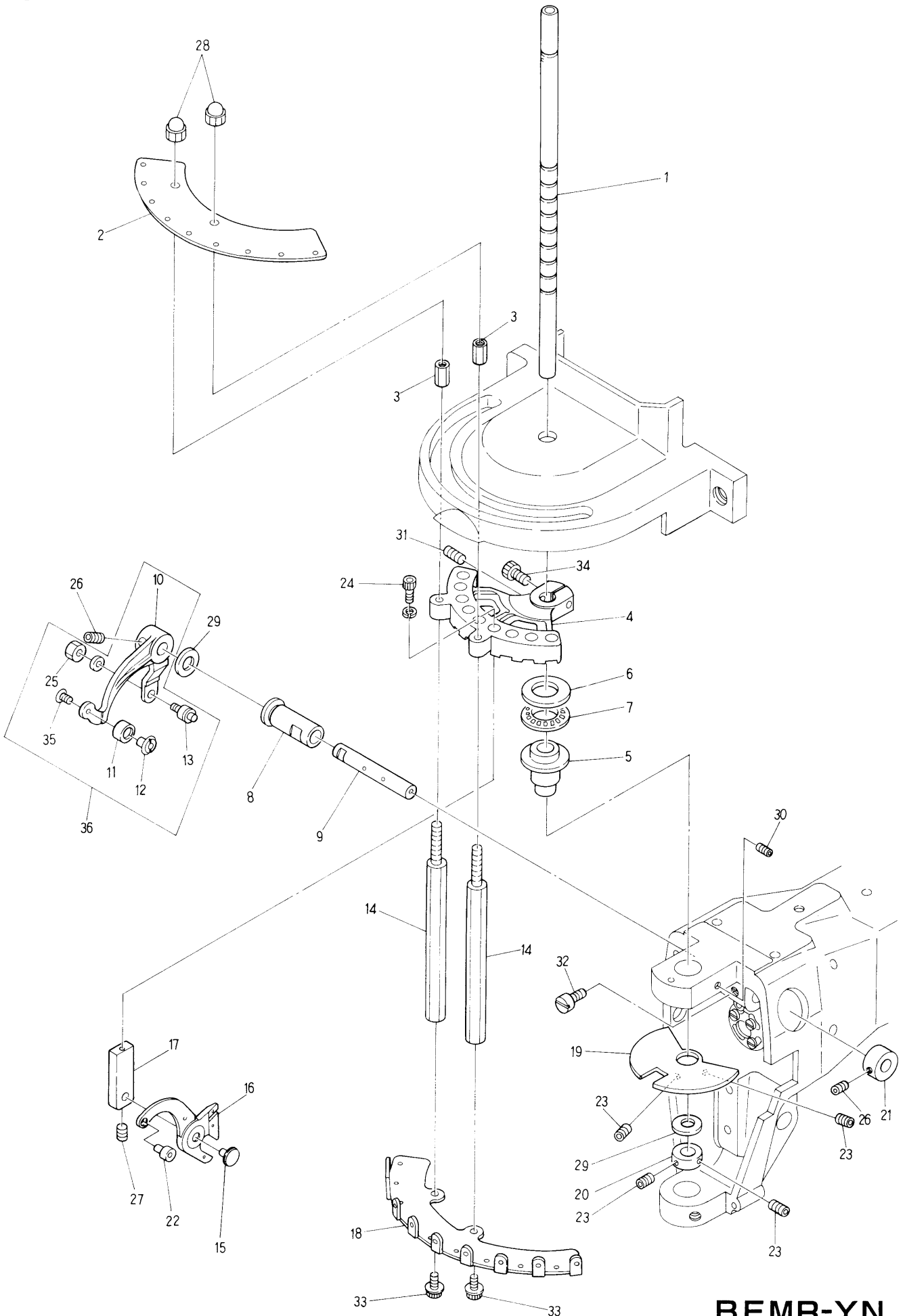
MODEL

**BEMR-YN**  
**BEMS-YN**  
**BEMX-YN**

## ③ Sewing head a'ssy II

(H=Head Q' TY)

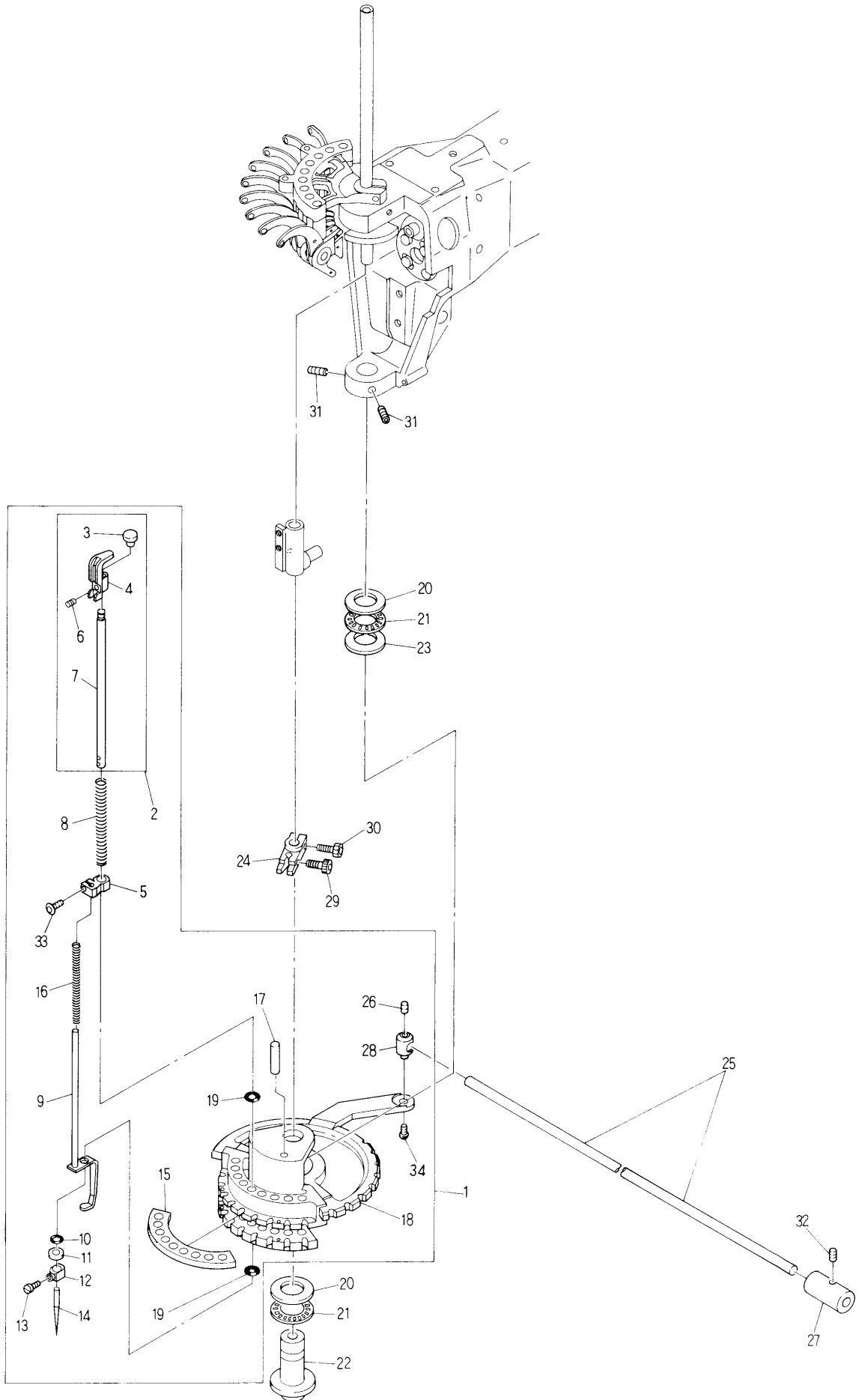
ITEM	LIST No.	DESCRIPTION	Q'TY	REMARK
1	KN210210	Bed	H×1	For small bobbin
	KB210180	Bed	H×1	For middle bobbin
2	KN250131	Needle plate	H×1	
3	KL250051	Arm side cable cover	H×1	
4	KF220271	Gear cover set	H×1	
5	KF220470	Bevel gear (Vertical shaft lower)	H×1	
6	KL220140	Oil felt C	H×3	
7	KL220060	Vertical shaft metal (Lower)	H×1	
8	KF220290	Bottom shaft collar	H×1	
9	KL220070	Bottom shaft metal (Rear)	H×1	
10	KF220480	Bevel gear (Bottom shaft)	H×1	
11	KL220120	Oil felt A	H×1	
12	KF220511	Rotating hook bobbin case holder position bracket	H×1	
13	KF220230	Bottom shaft metal (Front)	H×1	
14	KF220750	Rotating hook complete KHS 12-RYNW	H×1	For small bobbin
	HB220010	Rotating hook complete (HSM-A-MQTS)	H×1	For middle bobbin
15	KF220410	Bobbin	H×1	For small bobbin
	KF220421	Bobbin HSM(DBM)	H×1	For middle bobbin
16	KF220440	Bobbin case (SC35-NS)	H×1	For small bobbin
	KF220302	Bobbin case BC-DBM (22)-NBL5	H×1	For middle bobbin
17	KC220210	Bottom shaft	H×1	
18	KF250900	Needle plate set screw (SM11/64 40×7)	H×2	
19		Binding screw M4×8		
20		Screw (SM1/4 40×4)		
21		Hex, bolt M12×35		
22		Screw M5×25		
23		Screw (SM11/64 40×4)		
24		Screw (SM11/64 40×5)		
25		Hex, socket set screw M6×8		
26		Screw (SM11/64 40×10)		
27		Hex, socket bolt M8×22(With plain washer, Spring washer)		



## ④ Take up lever mechanism

(H=Head Q' TY)

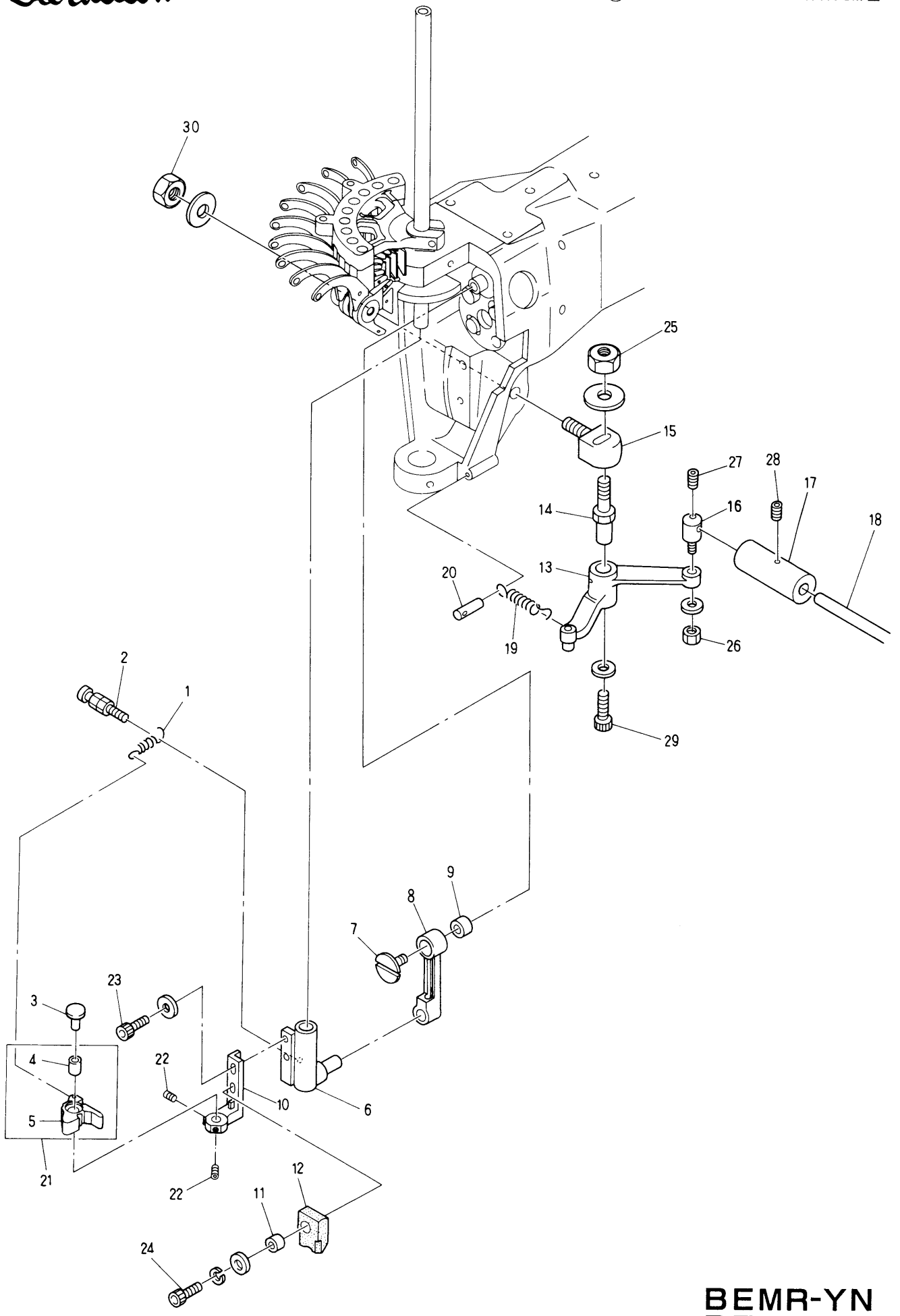
ITEM	LIST No.	DESCRIPTION	Q' TY	REMARK
1	KB230161	Driving shaft	H×1	
2	HT240000	Thread guide plate	H×1	
3	KB240021	Thread guide fixing collar	H×2	
4	HB230291	Take up lever fixing bracket	H×1	
5	KB230090	Driving shaft upper metal	H×1	
6	A9011152	Thrust needle bearing innerring (WS1528)	H×1	
7	A9011021	Thrust bearing NTB-1528	H×1	
8	KB230100	Take up lever driving shaft metal	H×1	
9	KB230110	Take up lever driving shaft	H×1	
10	KT230030	Take up lever driving lever	H×1	
11	HT230090	Take up lever driving roller	H×1	
12	HT230100	Take up lever driving roller shaft	H×1	
13	KF230500	Take up lever roller a'ssy	H×1	
14	KB240010	Thread guide fixing rod	H×2	
15	HT230080	Take up lever shaft	H×9	
16	KT230040	Take up lever a'ssy (Multi)	H×9	
17	KT230010	Take up lever base	H×9	
18	HT240010	Thread hanger	H×1	
19	KT230000	Take up lever sttocker	H×1	
20	HB230160	Driving shaft set collar	H×1	
21	HB230270	Needle bar driving lever fixing pin set collar	H×1	
22	HB230750	Take up lever thread eyelet ceramic	H×9	
23		Hex, socket set screw M4×4 (With adhesion)	H×2	
24		Hex, socket bolt M3×14		
25		Hex, nut SM7/32		
26		Hex, socket set screw M5×6 (With adhesion)	H×2	
27		Hex, socket set screw M3×4 (With adhesion)	H×9	
28		Cap nut M4		
29	A9012164	Thrust washer (R-TW0815)	H×2	
30		Hex, socket set screw M6×6		
31		Hex, socket set screw M4×5 (C,P)		
32		Screw (SM11/64×11)		
33		Hex, socket bolt M4×8 (With plain washer)		
34		Hex, socket bolt M4×15		
35	HB230650	Flush screw (With adhesion)	H×1	
36	KT230050	Take up lever drive lever a'ssy	H×1	



## ⑤ Needle bar mechanism I

(H=Head Q'TY)

ITEM	LIST No.	DESCRIPTION	Q'TY	REMARK
1		Turret plate a'ssy	H×1	
2	HT230190	Needle bar a'ssy	H×9	
3	HT230130	Needle bar cap	H×9	
4	HT230151	Needle bar guide	H×9	
5	HT230051	Cloth winder stop latch set clamp	H×9	
6		Hex, socket set screw M4×4		
7	HT230041	Needle bar	H×9	
8	HT230250	Needle bar spring (Upper)	H×9	
9	HT230141	Pressure foot	H×9	
10	KF230910	O-Ring (L)	H×9	
11	KF230930	Spacer	H×9	
12	KF230230	Needle clamp	H×9	
13	KF230240	Needle clamp screw (SM9/64 40)	H×9	
14	KF230250	Needle (DBK5-11)	H×9	
15	HT230110	Turret plate oil pad	H×1	
16	HT230061	Needle bar spring (Lower)	H×9	
17	A9012291	Parallel pin $\phi 5 \times 14 \ell$	H×1	
18	HT230000	Turret plate	H×1	
19	A9014055	O-Ring (S)	H×18	
20	A9011023	Thrust bearing outer (GS1528)	H×2	
21	A9011021	Thrust bearing (NTB-1528)	H×2	
22	HB230140	Driver shaft under metal	H×1	
23	A9011022	Thrust washer (AS-1528)	H×1	
24	HB230170	Driver shaft set plate	H×1	
25	KC330410	Lock connecting rod (L=2000)	(4)	
26		Hex, socket set screw M4×4	H×1	
27	KF330381	Lock bar hand grip	(2)	
28	HT230180	Turret plate joint pin	H×1	
29		Hex, socket bolt M3×12 (With adhesion)	H×1	
30		Hex, socket bolt M4×12	H×1	
31	A9012053	Hex, socket set screw M6×0.75×8	H×2	
32		Hex, socket set screw M5×5		
33		Hex, socket button bolt M3×8	H×9	
34		Hex, socket button bolt M4×5	H×1	



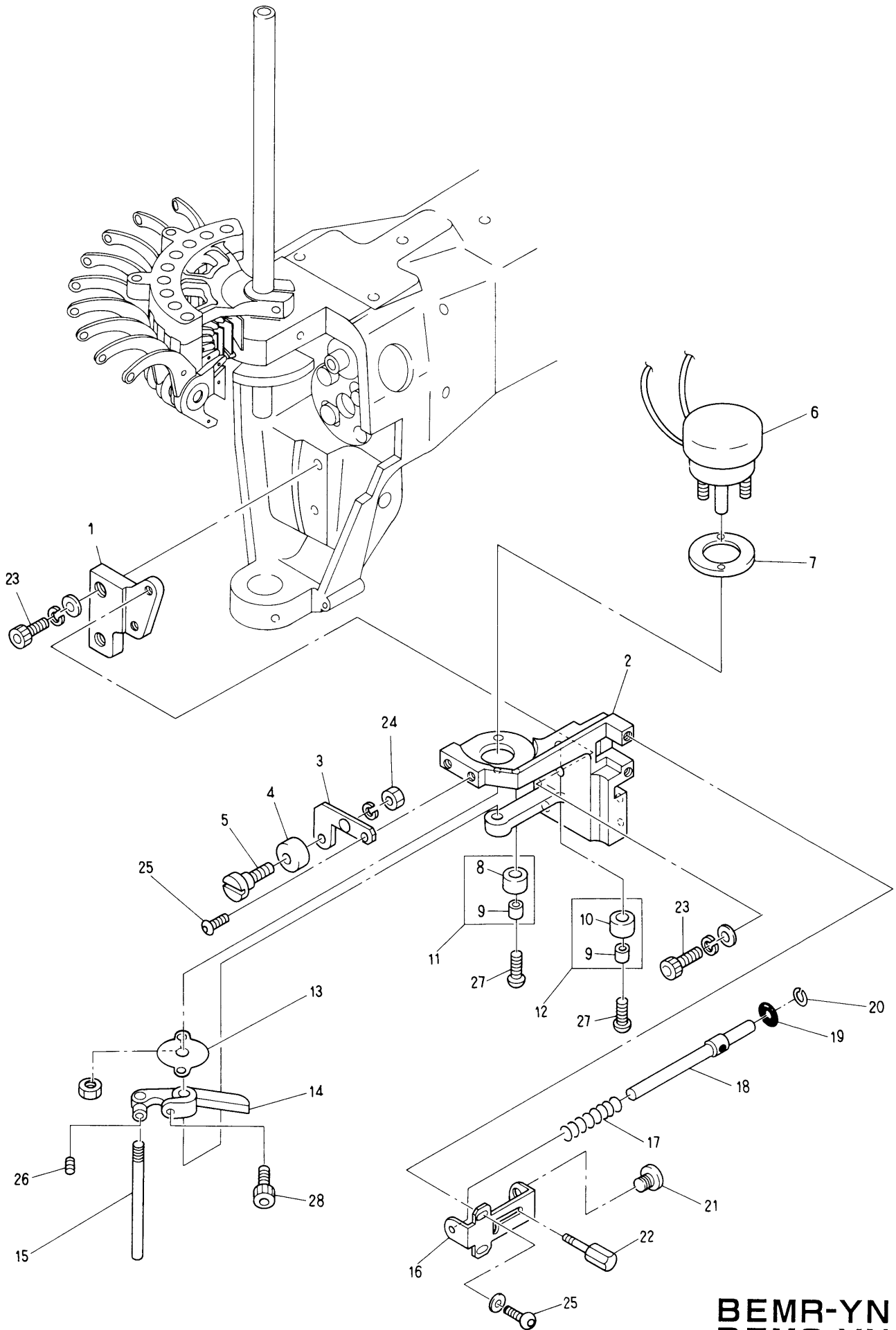
MODEL **BEMR-YN**  
**BEMS-YN**  
**BEMX-YN**



## ⑥ Needle bar mechanism II

(H=Head Q'TY)

ITEM	LIST No	DESCRIPTION	Q'TY	REMARK
1	HB230401	Needle bar driver return spring	H×1	
2	HB230590	Set screw for return spring	H×1	
3	HB230390	Needle bar driver fixing	H×1	
4	A9012190	DU Bush (MB0606DU)	H×1	
5	HB230383	Needle bar driver	H×1	
6	KB230080	Needle bar driver guide block	H×1	
7	KB230070	90° Crank left-handed screw	H×1	
8	KB230060	Crank rod	H×1	
9	A9011115	Needle bearing (K9×12×10T2)	H×1	
10	HB230372	Needle bar driver fixing base	H×1	
11	HB230420	Needle bar driver stopper set collar	H×1	
12	HB230414	Needle bar driver stopper	H×1	
13	KL230280	Lock lever (With roller)	H×1	
14	KF230630	Lock lever shaft	H×1	
15	KF230650	Lock lever bracket	H×1	
16	KF230640	Lock connecting bar clamp	H×1	
17	KF330381	Lock bar hand grip	2	
18	KC330410	Lock connecting rod (L=2000)		
19	KF230661	Lock lever spring	H×1	
20	KF230670	Lock lever spring pin	H×1	
21	HT230201	Needle bar driver (a'ssy)	H×1	
22		Hex, socket set screw M4×4 (With adhesion)	H×2	
23		Hex, socket bolt M4×12		
24		Hex, socket bolt M4×15		
25		Hex, nut M8		
26		Hex, nut M4		
27		Hex, socket set screw M4×6		
28		Hex, socket set screw M5×5		
29		Hex, socket bolt M5×10		
30		Hex, nut M10		

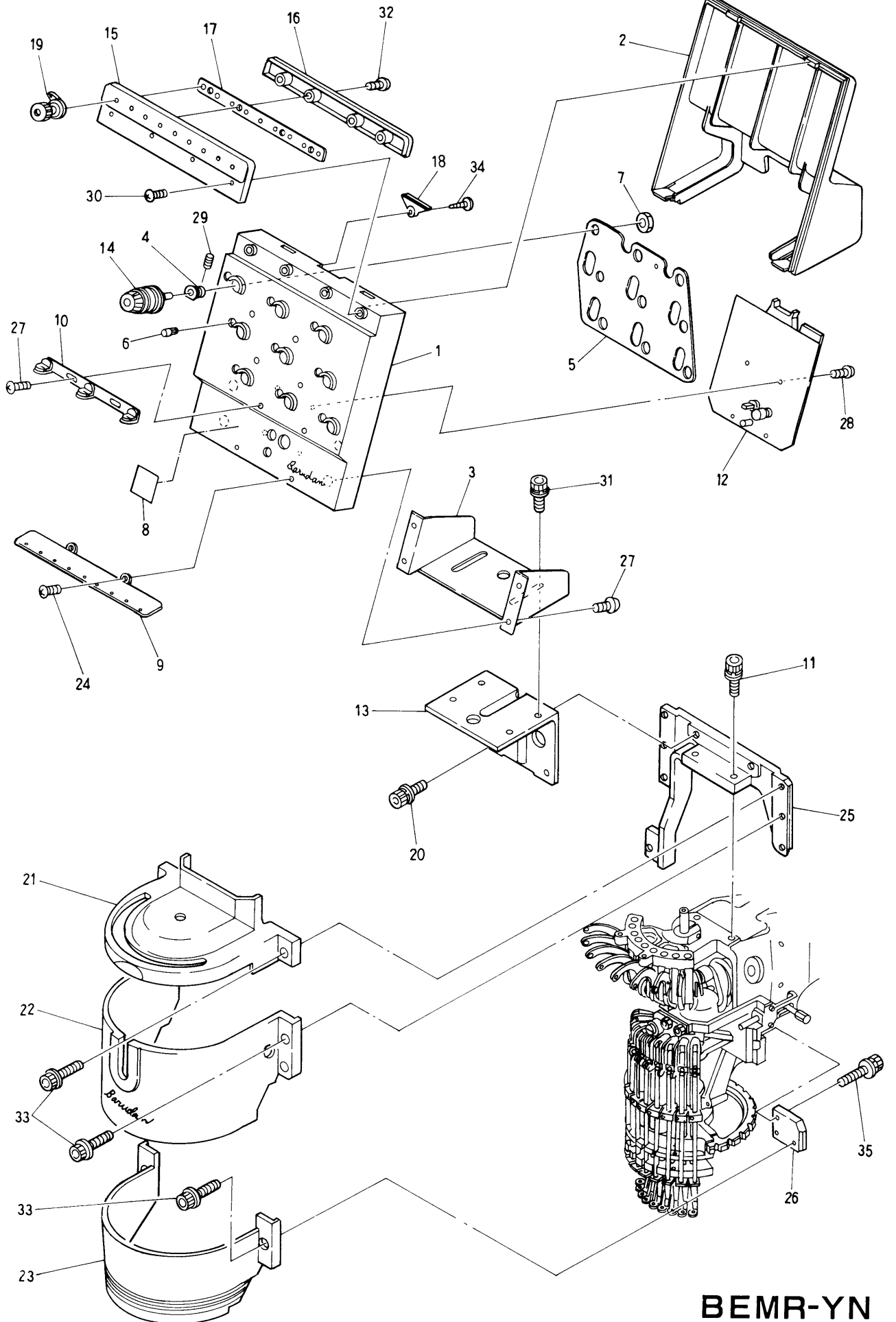


MODEL  
BEMR-YN  
BEMS-YN  
BEMX-YN



Barudan

⑧ Thread guide mechanism

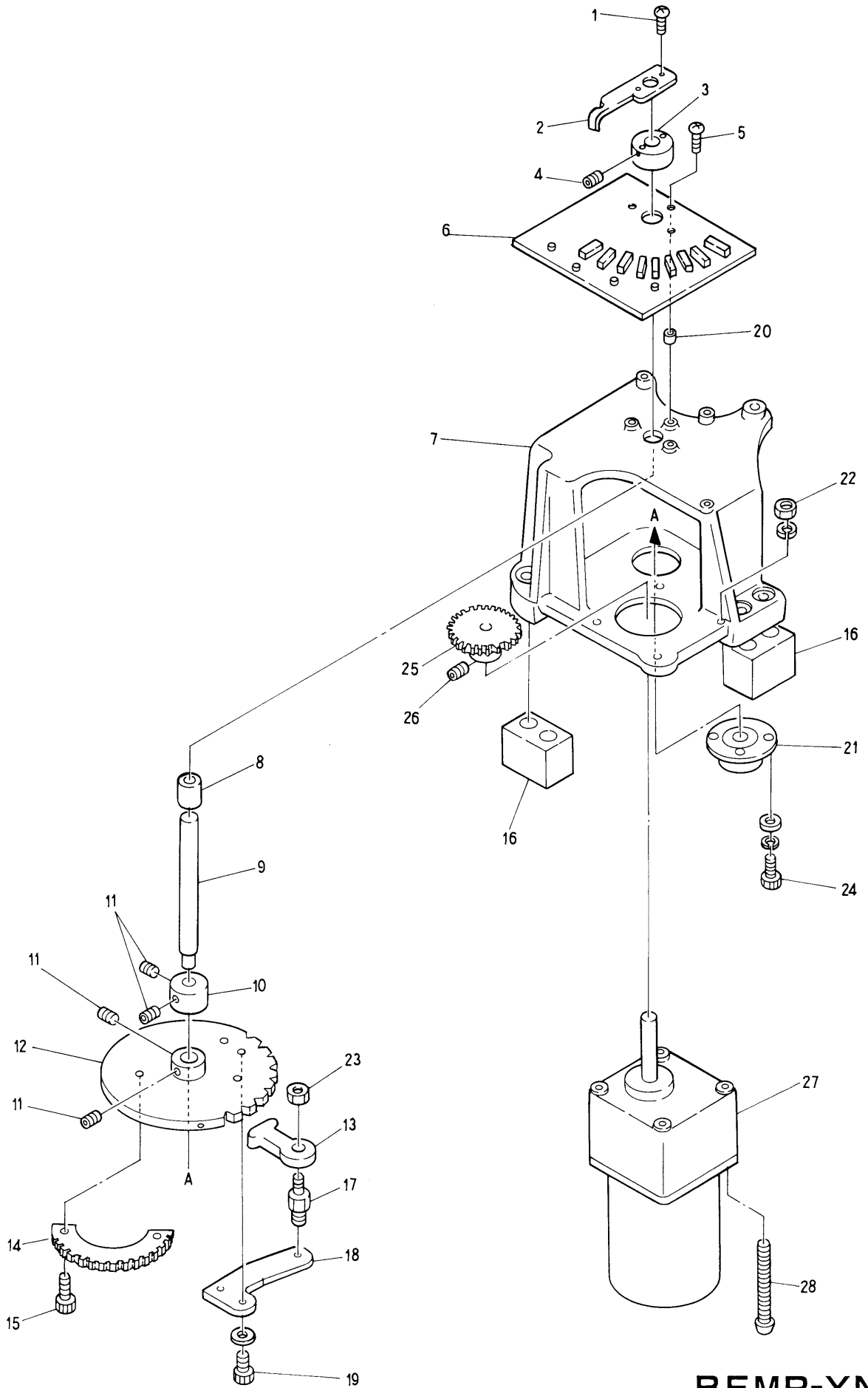


MODEL  
BEMR-YN  
BEMS-YN  
BEMX-YN



Barudan

⑨ Color change mechanism I



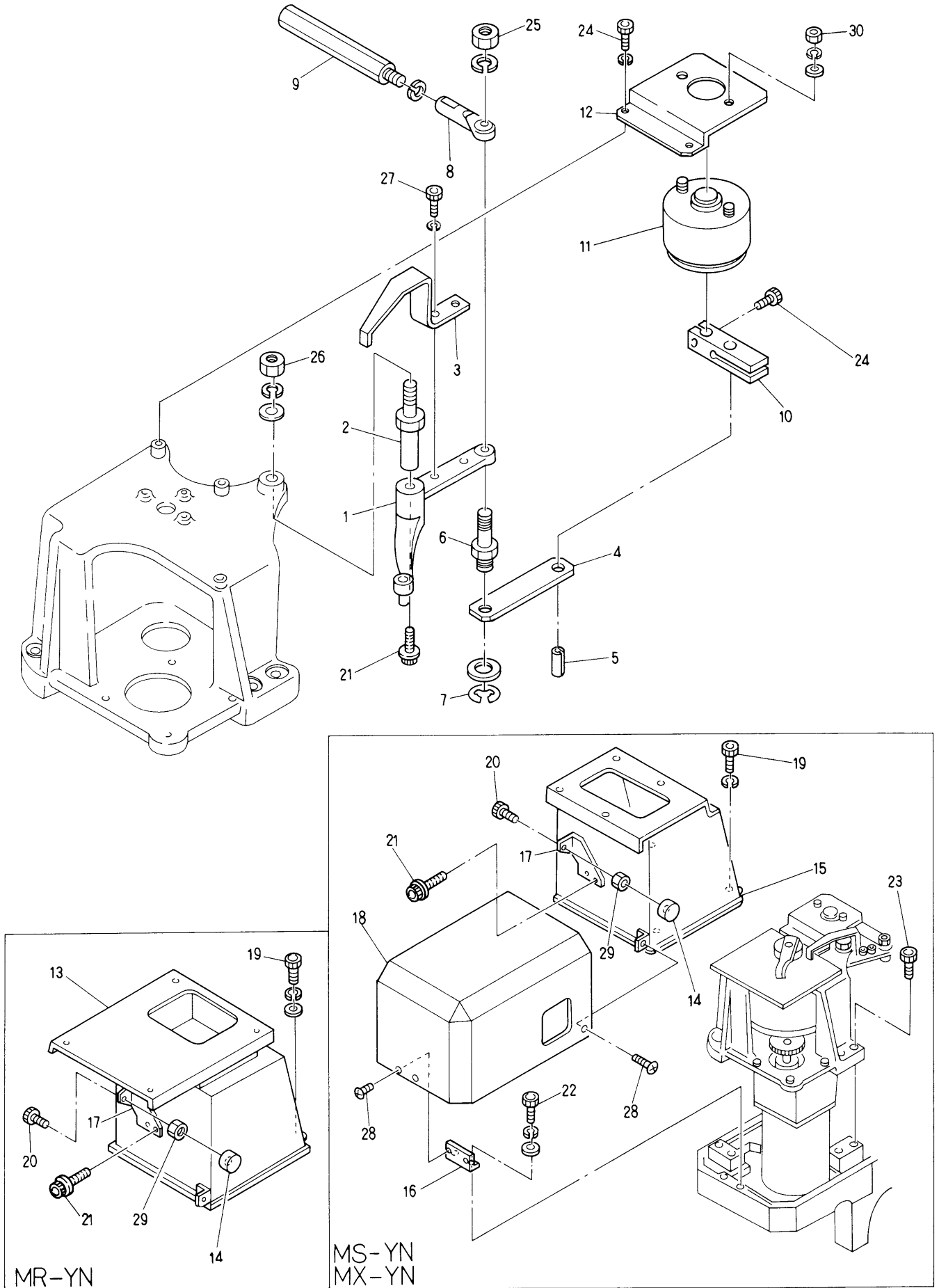
MODEL BEMR-YN  
BEMS-YN  
BEMX-YN

⑨ Color change mechanism I

ITEM	LIST No.	DESCRIPTION	Q'TY	REMARK
1		Truss screw M3×6		
2	KC330280	Needle bar detection plate	1	
3	KC330170	Detection plate collar	1	
4		Hex, socket set screw M5×10		
5		Truss screw M3×12		
6	EBY01120	3760 Needle positioner	1	
7	KC330180	Needle turning unit base	1	
8	KC330190	Oil-less metal	1	
9	KC330161	Needle turning shaft	1	
10	KC330180	Collar φ10	1	
11		Hex, socket set screw M5×6		
12	KT330000	Control turning plate	1	
13	A9012001	Uniball joint (RD4020R)	1	
14	KG330220	Needle turning gear No.2	1	
15		Hex, socket bolt M5×12		
16	KL330050	Unit base spacer	2	
17	KF230360	Turret plate joint pin	1	
18	KL330040	Turret plate lever	1	
19		Hex, socket bolt M5×15		
20	A9012208	Spacer 5×4	3	
21	KC330610	Oil-less bearing (OCHIAI) S/S LS B-G8-080V	1	
22		Hex, nut M4		
23		Hex, nut M5		
24		Hex, socket bolt M4×12		
25	KC330210	Needle turning gear No.1 (0.8M50T)	1	
26		Hex, socket set screw M4×8		
27	A9065035	Geard motor RM-F6A5PC3R163-120	1	
28		Oval countersunk screw M4×65		

Barudan

⑩ Color change mechanism II



MR-YN

MS-YN  
MX-YN

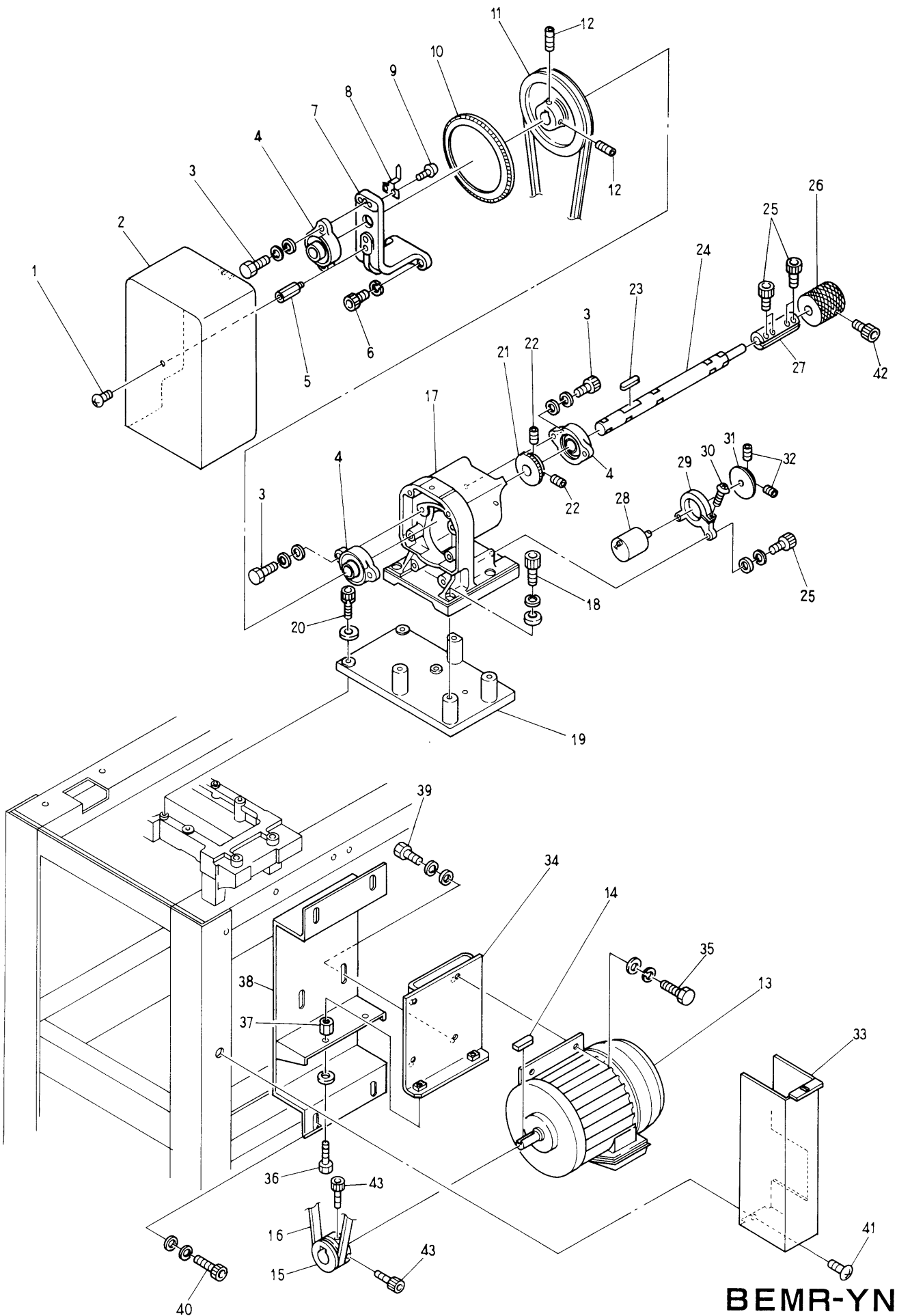
MODEL

**BEMR-YN**  
**BEMS-YN**  
**BEMX-YN**



### ⑩ Color change mechanism II

ITEM	L I S T No.	D E S C R I P T I O N	Q ' T Y	R E M A R K
1	KG230610	Lock lever	1	
2	KF230630	Lock lever shaft	1	
3	KC330290	Lock detectio plate	1	
4	KN330250	Lock lever link	1	
5	A9012143	Spring pin $\phi 6$ L=12	1	
6	KC330230	Lock lever pin	1	
7	A9012137	Snap ring $\phi 8$	1	
8	A9012002	Uni ball joint (PR-6)	1	
9	KC330510	Hex, connecting bar (L)	1	
10	KN330240	Lock solenoid lever	1	
11	KC330850	Rotary solenoid 6SR-25(27 $\times$ 4 $\times$ 9) L=15	1	
12	KC330260	Rotary solenoid bracket	1	
13	KN332010	Automat base (MRA)	1	
14	KN231350	Needle bar cap	1	
15	KN330130	Automat base (MSA, MXA)	1	
16	KC330910	Cover bracket	1	
17	KL330020	Lock lever stopper	1	
18	KL330010	Cover	1	
19		Hex, socket bolt M6 $\times$ 12		
20		Hex, socket bolt M5 $\times$ 30		
21		Hex, socket flange bolt M5 $\times$ 12		
22		Hex, socket bolt M5 $\times$ 10		
23		Hex, socket bolt M6 $\times$ 60		
24		Hex, socket bolt M5 $\times$ 12		
25		Hex, nut M6		
26		Hex, nut M8		
27		Hex, socket bolt M4 $\times$ 8		
28		Truss screw M4 $\times$ 6		
29		Hex, nut M5		
30		Hex, nut M4		



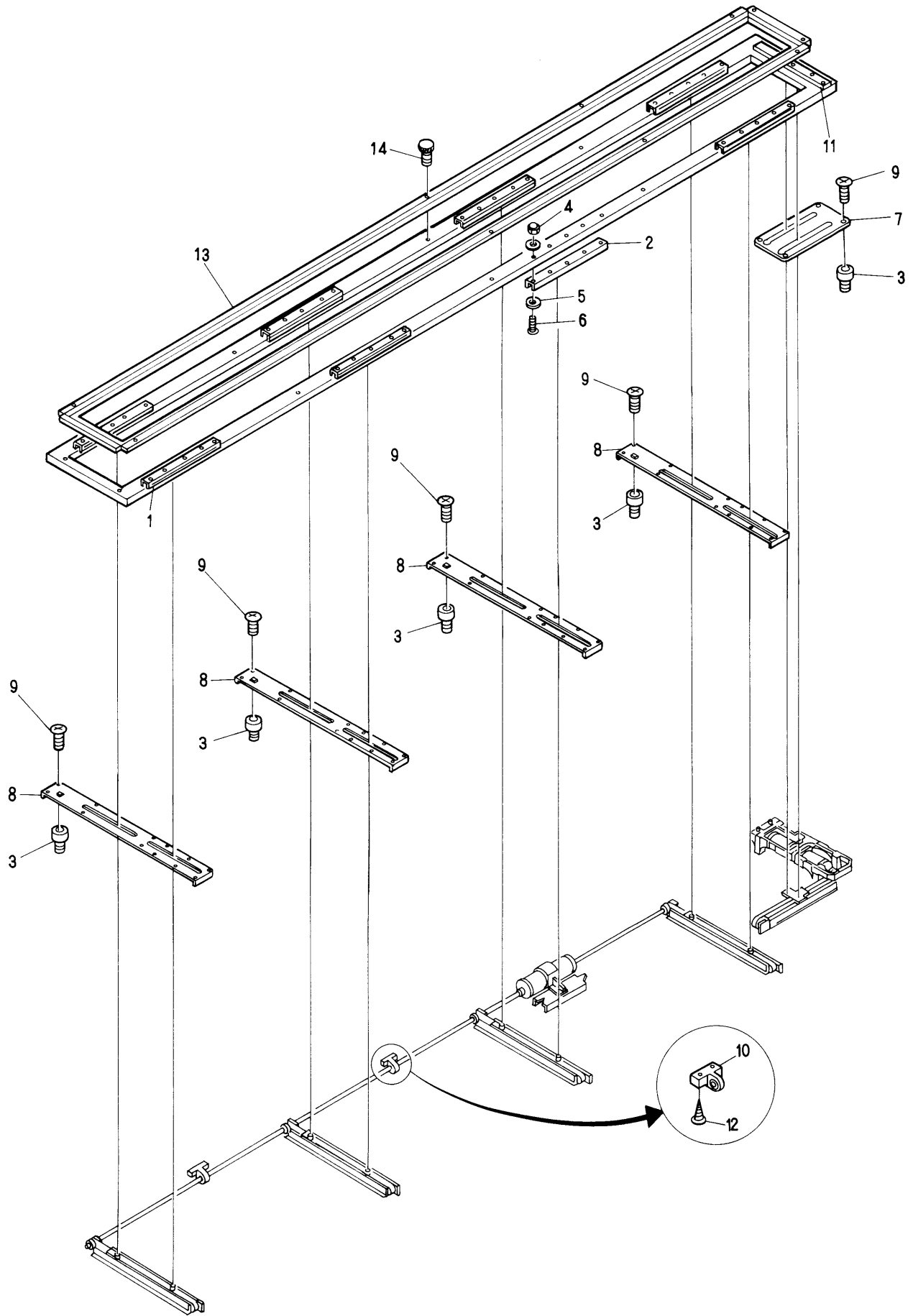
MODEL  
BEMR-YN  
BEMS-YN  
BEMX-YN

⑪ Drive mechanism

ITEM	LIST No.	DESCRIPTION	Q'TY	REMARK
1		Truss screw M4×6		
2	KK310030	Belt cover (Upper)	1	
3		Hex, bolt M8×25		
4	A9011017	Bearing unit (BLF204)	3	
5	KN312940	Belt cover stay	1	
6		Hex, socket bolt M8×25		
7	KN315130	Brake box bearing	1	
8	KN310050	Angle gauge	1	
9		Hex, socket button bolt M4×10		
10	KN313670	Angle label (A)	1	
11	KN310000	Driving pulley φ152.2	1	
12		Hex, socket set screw M6×8		
13	KN315110	Motor (IKFBK8-4P0.55KW, VF3 200V)	1	
14		Key 6×6×32	1	
15	KN310010	Motor pulley φ48.6	1	
16	A9020200	V-Belt (4PK-1240)	1	
17	KN312810	Brake box	1	
18		Hex, socket bolt M6×40		
19	KK310040	Brake box base	1	
20		Hex, socket bolt M6×35 (With spring washer)		
21	KC312911	Encoder driving gear No.1	1	
22		Hex, socket set screw M5×8		
23	WW310210	Key 6×6×35	1	
24	KN312820	Brake shaft	1	
25		Hex, socket bolt M6×20		
26	KC320590	Hand pulley	1	
27	HH320550	Upper shaft connecting coupling	1	
28	KN511020	Position corder 051 (for Embroidery machine)	1	
29	KC312890	Encoder retainer	1	
30		Pan screw M4×15		
31	KC312921	Encoder driving gear No.2	1	
32		Hex, socket set M4×8		
33	KL310100	Belt cover (Lower)	1	
34	KL310071	Motor fixing bracket	1	
35		Hex, bolt M8×25		
36		Hex, bolt M8×60		
37		Hex, nut M8		
38	KL310081	Motor base	1	
39		Hex, bolt M8×20		
40		Hex, socket bolt M8×25		
41		Truss screw M4×8		
42		Hex, socket bolt M6×12		
43		Hex, socket bolt M6×15		Key side
		Hex, socket bolt M6×18		

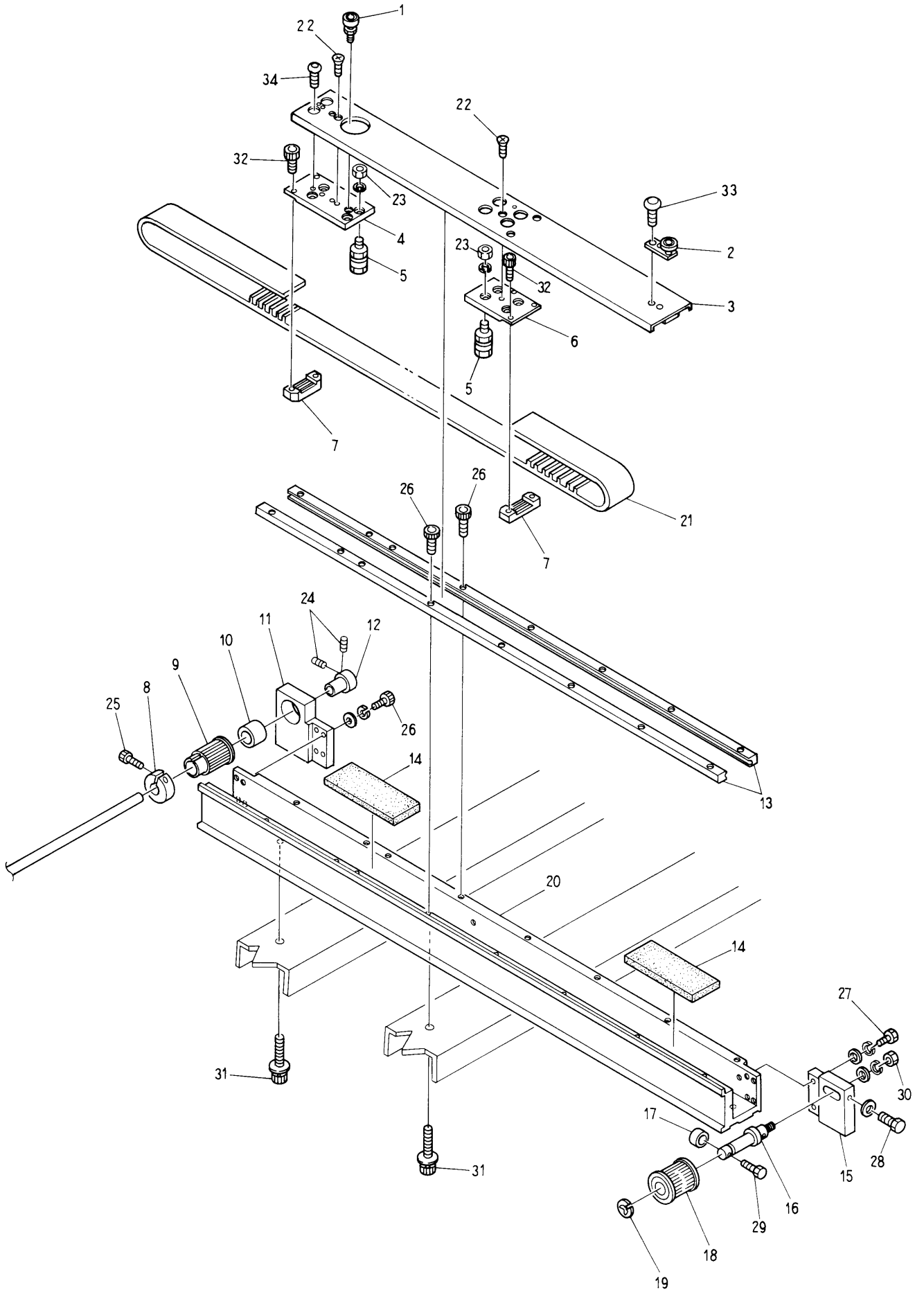
Barudan

⑫ Pantograph drive mechanism I  
(V · H-Direction)



MODEL  
**BEMR-YN**  
**BEMS-YN**  
**BEMX-YN**





MODEL  
**BEMR-YN**  
**BEMS-YN**  
**BEMX-YN**

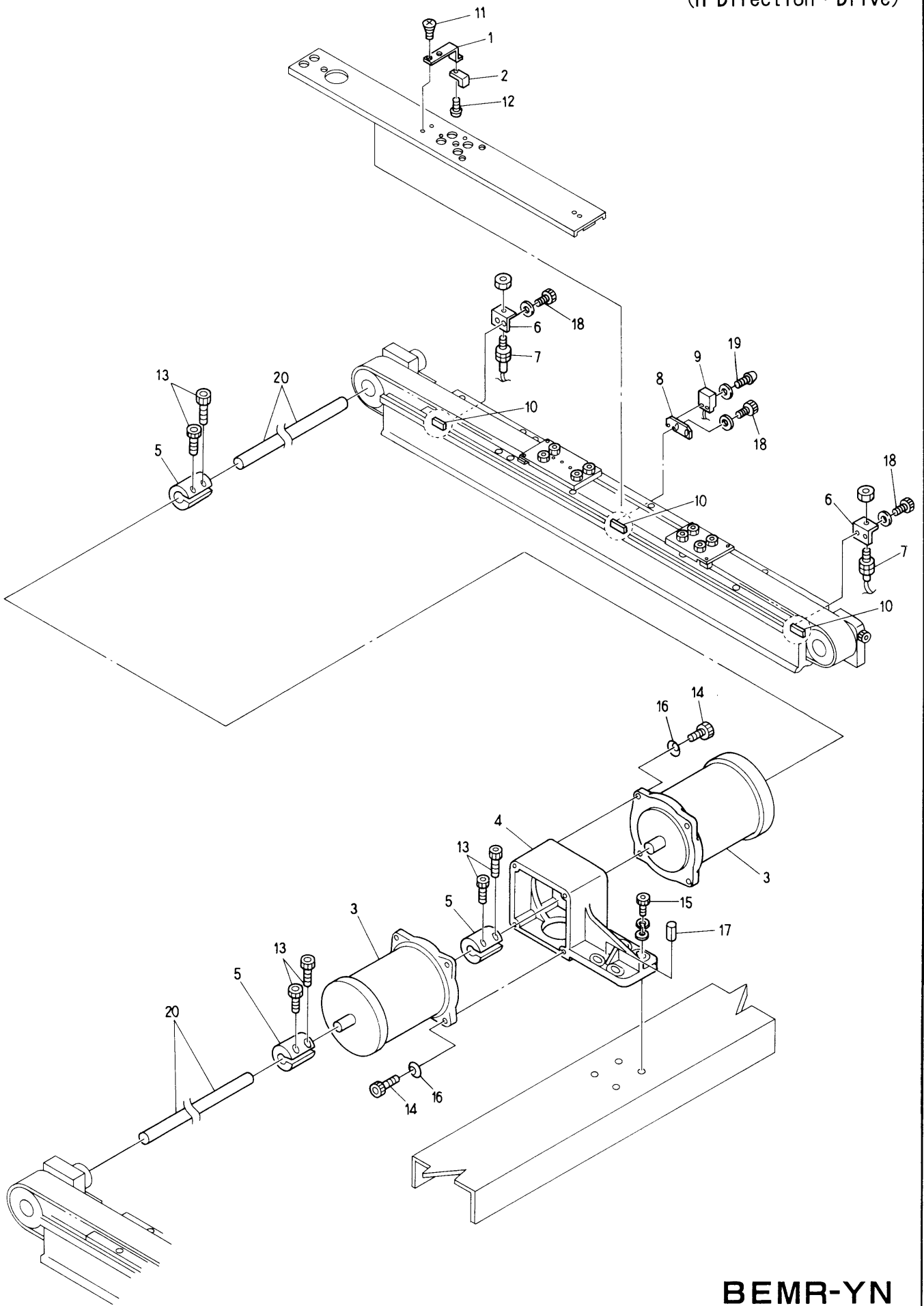
⑬ Pantograph drive mechanism II (H-Direction・front)

(R=H-Rail Q'TY)

ITEM	LIST No.	DESCRIPTION	Q'TY	REMARK
1	HP 4 8 3 3 7 0	Guide rail bearing pin a'ssy	R × 1	
2	HP 4 8 3 3 9 1	Guide rail bearing pin a'ssy (H)	R × 1	
3	KN 4 8 3 4 4 2	H-Member connecting channel (BESR, BEAT)		For Pantograph stop
	KN 4 8 3 4 6 0	H-Member connecting channel (SR•AT)	1	
4	KN 4 8 2 8 7 1	H-Roller base (rear)	R × 1	
5	HP 4 8 2 9 5 0	Roller pin a'ssy A	R × 8	
6	KN 4 8 2 8 8 0	H-Roller base (Front)	R × 1	
7	HP 4 8 2 9 4 0	Timing belt set rack (5)	R × 2	
8	HH 4 8 1 9 8 0	Clamping φ19	R × 1	
9	HP 4 8 2 9 9 0	Pantograph driving pulley (Rear)(S5M)	R × 1	
10	A 9 0 1 1 0 6 3	Needle bearing (TLA2016)	R × 1	
11	KN 4 8 2 0 1 0	H-Guide rear pulley bracket	R × 1	
12	HH 4 8 1 9 7 0	Pulse motor connecting shaft collar	R × 1	
13	KN 4 8 3 4 5 0	V-Guide rail (L=660)	R × 2	
14	KN 4 8 0 0 6 1	Rail base felt (100×38×6)	R × 2	
15	KN 4 8 2 0 0 0	H-Guide front pulley bracket	R × 1	
16	HH 4 8 1 9 9 1	Timing pulley shaft	R × 1	
17	HH 4 8 2 1 1 0	Pulley shaft bolt cap	R × 1	
18	HP 4 8 2 9 8 0	Pantograph driving pulley (Front)(S5M)	R × 1	
19	A 9 0 1 2 0 5 2	E-Ring (φ10)	R × 1	
20	KN 4 8 3 4 0 0	H-Guide rail base	R × 1	
21	A 9 0 2 0 0 9 8	Timing belt (300S5M2000)	R × 1	
22		Flush screw M4 × 8 (Under cut)		
23		Hex, nut M5		
24		Hex, socket set screw M3 × 8		
25		Hex, socket bolt M5 × 18		
26		Hex, socket bolt M4 × 15		
27		Hex, socket bolt M4 × 18		
28		Hex, bolt M4 × 25		
29		Hex, bolt M4 × 35		
30		Hex, nut M8		
31		Hex, socket bolt M8 × 22(With plain washer, Spring washer)		
32		Hex, socket bolt M3 × 6		
33		Hex, socket button bolt M4 × 5		
34		Hex, socket button bolt M4 × 8		

Barudan

⑭ Pantograph drive mechanism III  
(H-Direction • Drive)



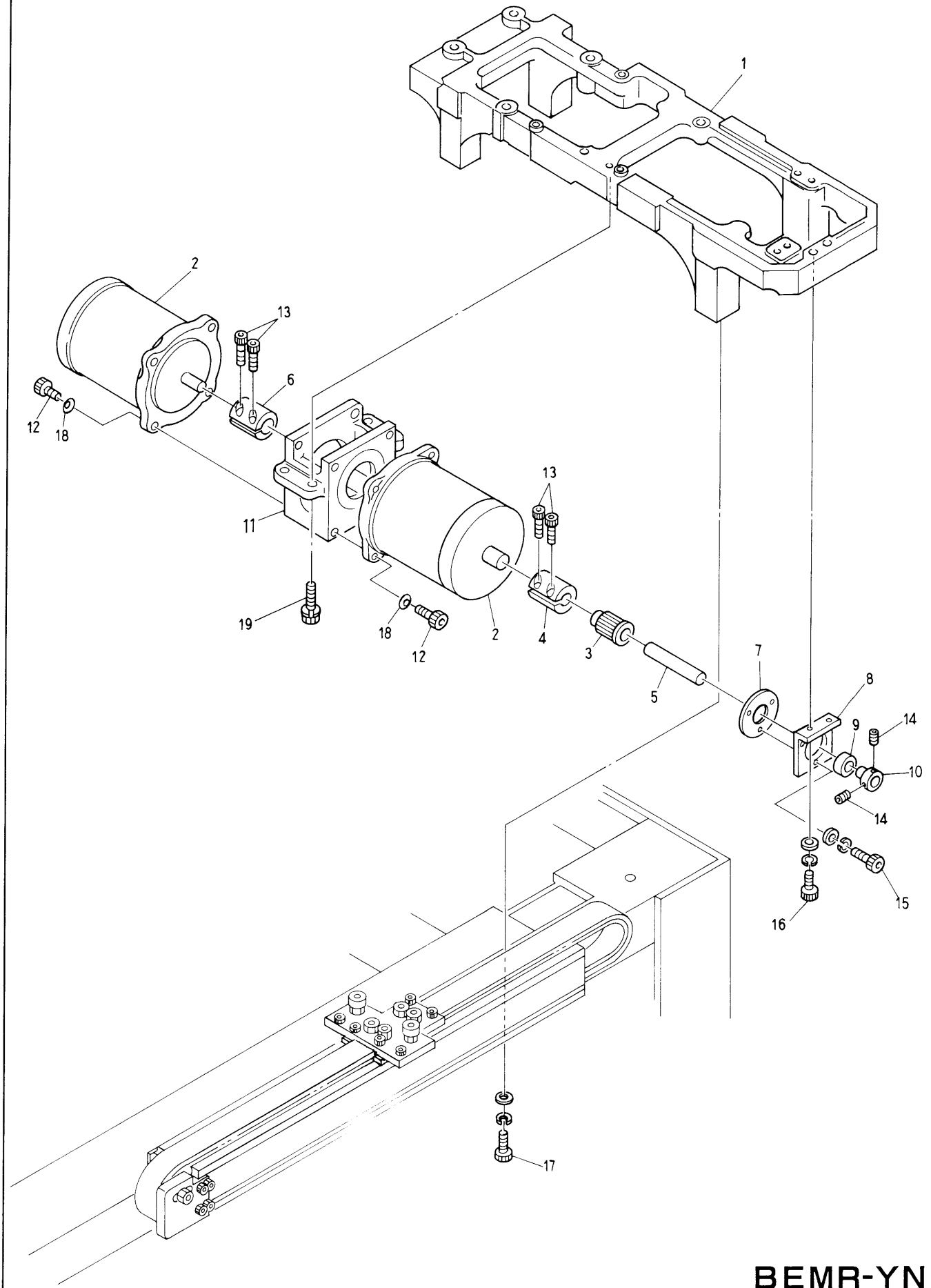
MODEL  
**BEMR-YN**  
**BEMS-YN**  
**BEMX-YN**





Barudan

⑮ Pantograph drive mechanismIV  
(V-Direction • Drive)

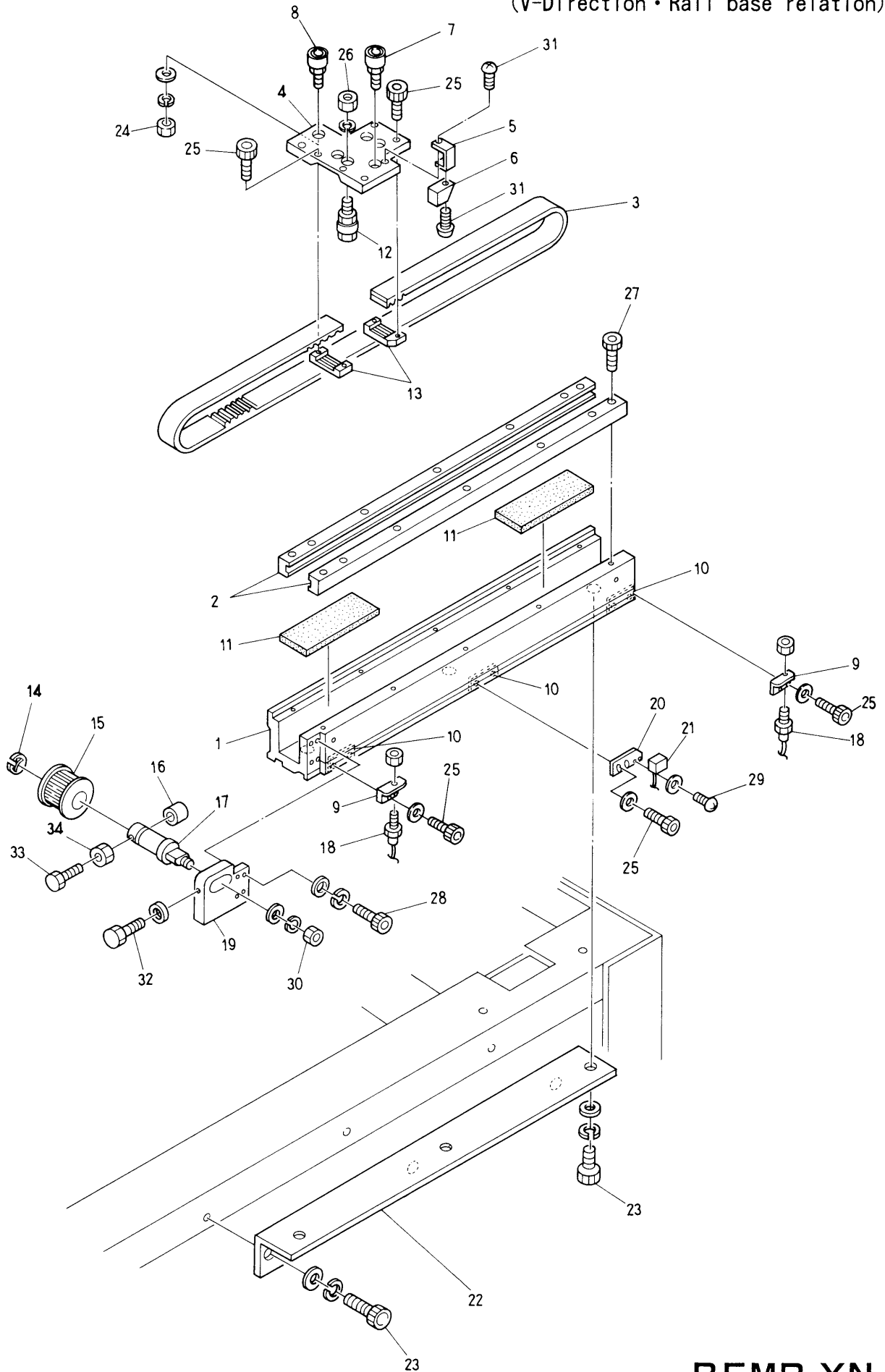


MODEL  
BEMR-YN  
BEMS-YN  
BEMX-YN



Barudan

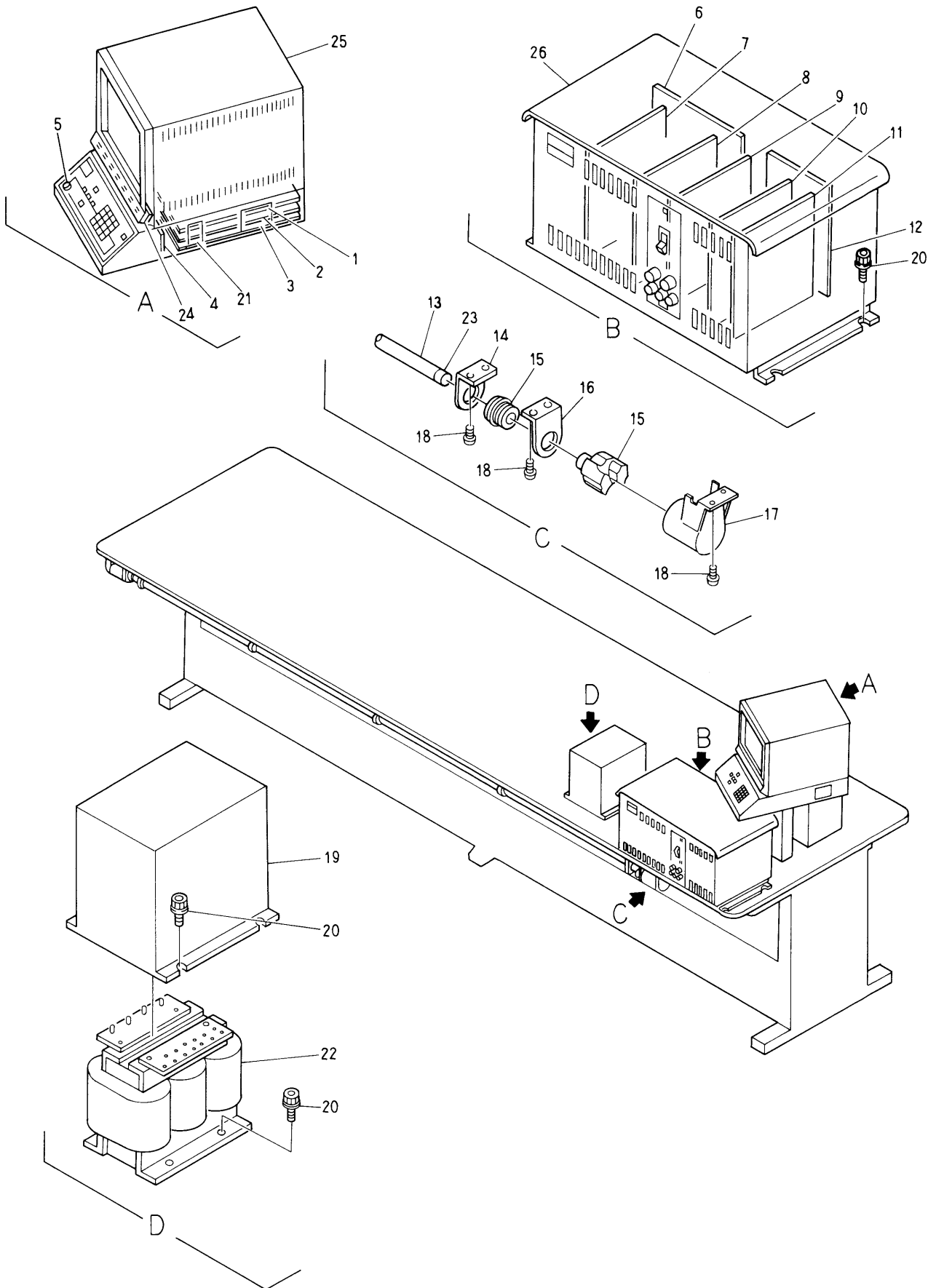
⑬ Pantograph drive mechanism V  
(V-Direction • Rail base relation)



MODEL  
**BEMR-YN**  
**BEMS-YN**  
**BEMX-YN**

⑩ Pantograph drive mechanism V (V-Direction・Rail base relation)

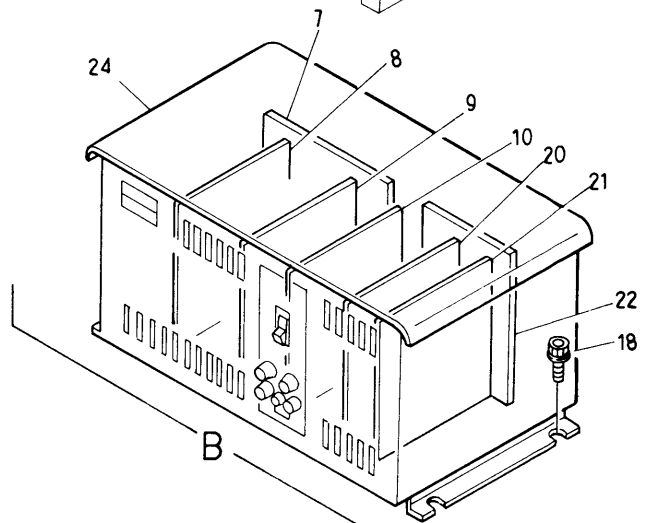
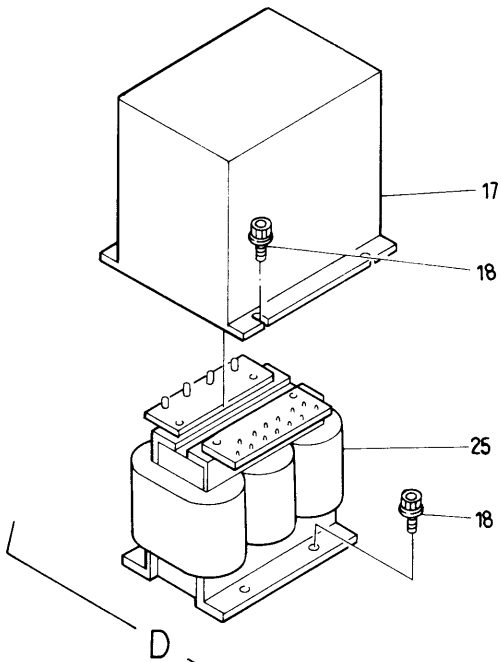
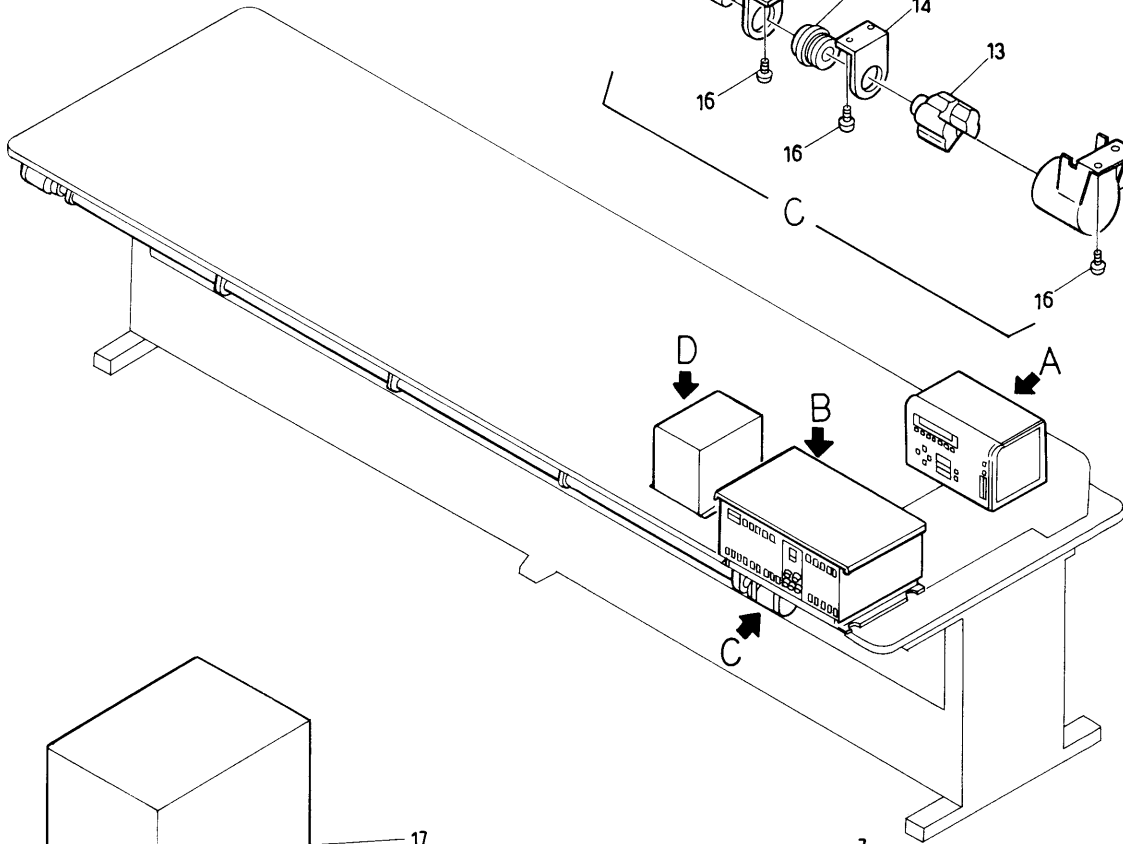
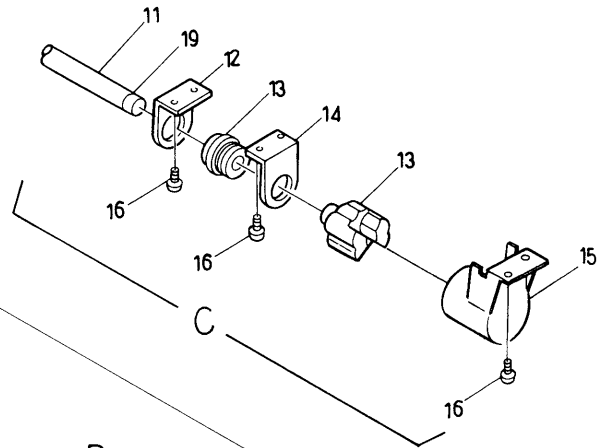
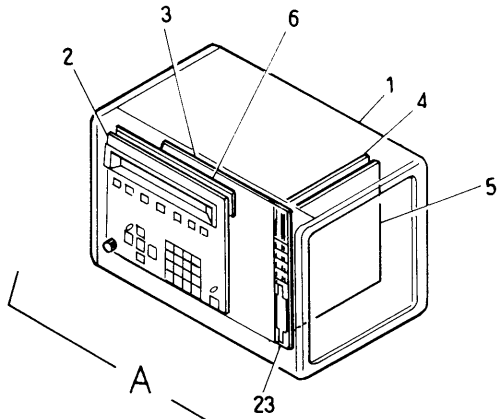
ITEM	LIST No.	DESCRIPTION	Q'TY	REMARK
1	KN483410	V-Guide rail base (stroke 350)	1	
	KN483420	V-Guide rail base (stroke 480)	1	
	KN483430	V-Guide rail base (stroke 600)	1	
2	KN483450	V-Guide rail (L=660)	2	
3	A9020098	Timing belt (300S5M2000)	1	
4	KN482890	V-Roller base	1	
5	KN450311	V-Pantograph origin point magnet bracket	1	
6	A9052030	Magnet (M-102A-02)	1	
7	HP483370	Guide rail bearing pin a'ssy	1	
8	HP483111	Guide rail bearing pin a'ssy B	1	
9	MT460240	RS-001 Bracket (V)	2	
10	KU460270	Plate nut (M3)	3	
11	KN480061	Rail base felt (SR100×38×6)	2	
12	HP482950	Roller pin a'ssy A	4	
13	HP482940	Timing belt rack (5M)	2	
14	A9012052	E-Ring (φ10)	1	
15	HP482980	Pantograph drive pulley (Front) (S5M)	1	
16	HH482110	Pulley shaft bolt cap	1	
17	HH481991	Timing pulley shaft	1	
18	A9052024	Switch RS-001	2	
19	KN482000	H-Guide front pulley bracket	1	
20	KN450300	MH-601A Promixity fixing bracket	1	
21	A9052031	Magnetic memory promixing switch (MH-601A)	1	
22	KC470460	V-Guide rail base bracket (Stroke 350, 480)	1	
	KN482620	V-Guide rail base bracket (Stroke 600)	1	
23		Hex, socket bolt M8×20		
24		Hex, nut M6		
25		Hex, socket bolt M3×6		
26		Hex, nut M5		
27		Hex, socket bolt M4×15		
28		Hex, socket bolt M4×18		
29		Truss screw M3×10		
30		Hex, nut M8		
31		Truss screw M3×6		
32		Hex, bolt M4×25		
33		Hex, bolt M4×35		
34		Hex, nut M4		



MODEL  
**BEMR-YN**  
**BEMS-YN**  
**BEMX-YN**

⑰ Control system <BEMR-YN>

ITEM	LIST No.	DESCRIPTION	QTY	REMARK
1	EBY00450	4410 CPU board	1	
2	EBY00460	4420 Memory board	1	
3	EBY00470	4430 FDSP board	1	
4	EBY00480	4440 B/B board	1	
5	EBY00490	4450 Buzzer board	1	
6	EBY00570	4590 B/B*L board	1	
7	EBY00540	4540 Pulse motor control board	1	
8	EBY00530	4530 Inver board	1	
9	EBY00550	4560 Power control board	1	
10	EBY00520	4520 Solenoid board	1	
11	EBY00510	4510 Interface board	1	
12	EBY00560	4580 B/B*R board	1	
13	KF530160	Bar switch	1	
14	KC530240	Bar switch bracket (S)	5	
15	KF530111	Push botton switch MS319 (Red)	1	
	KF530120	Push botton switch MS319 (Green)	1	
16	KC530230	Bar switch bracket (L)	2	
17	KF530151	Push botton switch cap	2	
18		Tapping screw M4×20		
19	KC520020	Transformer cover set	1	
20		Hex. socket flange bolt M6×12		
21	EBY00630	Floppy disk drive FD-1137C	1	
22	EAY022A3	Automat transformer (BEMR) 1 P	1	
	EAY021A3	Automat transformer (BEMR) 3 P	1	
23	KF530171	Bar switch cap	2	
24	EBY00500	4460 Switch board	1	
25	EAY017A1	Automat contoroler (BEMR)	1	
26	EAY021A2	Automat driver (BEMR)	1	

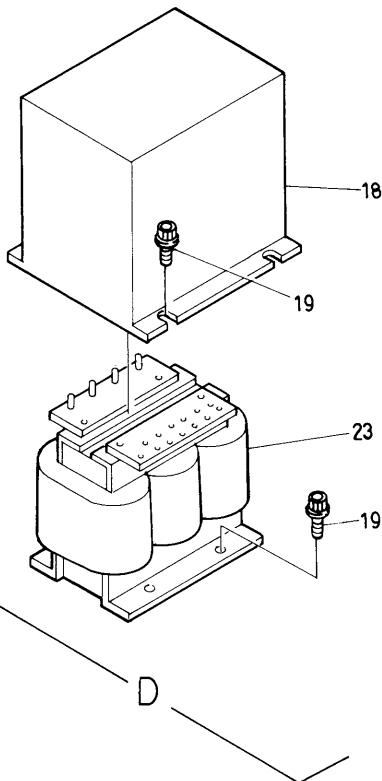
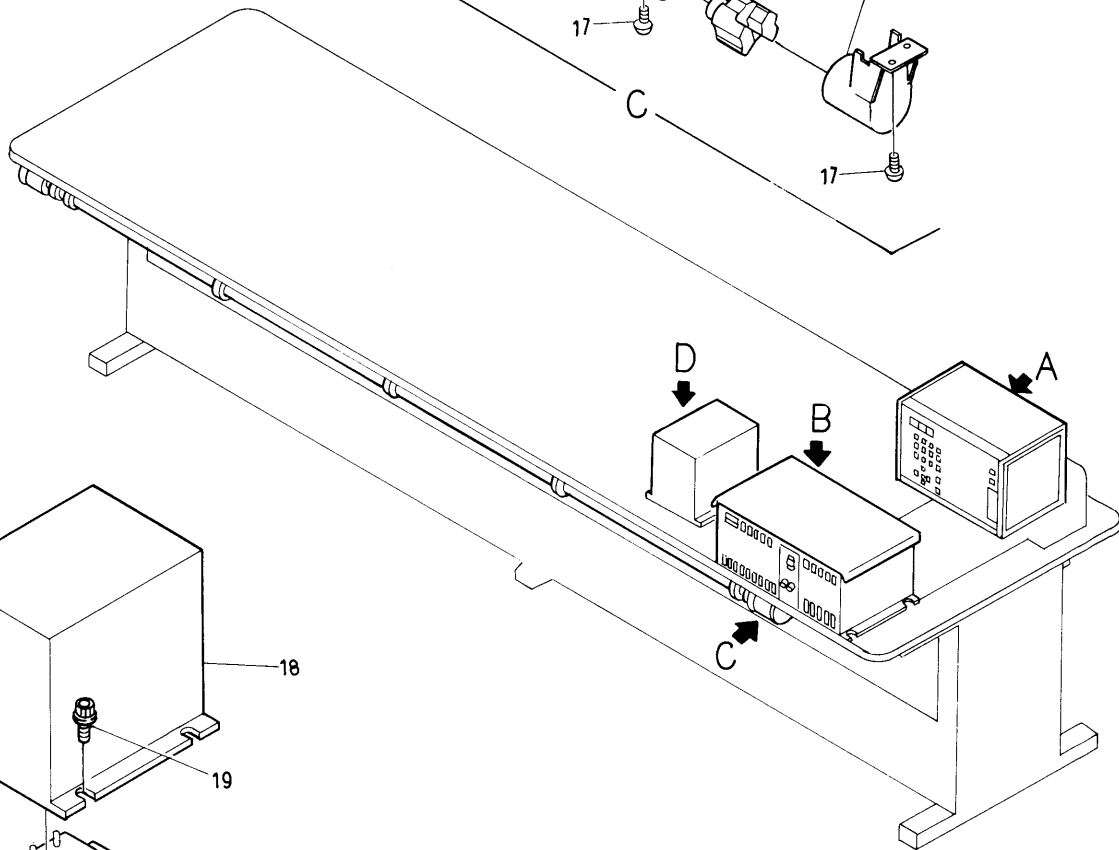
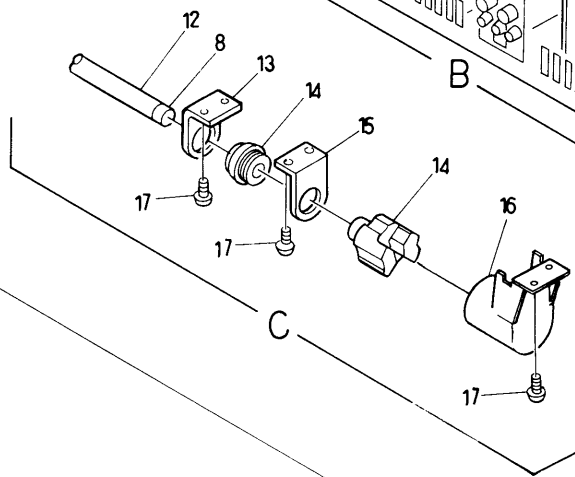
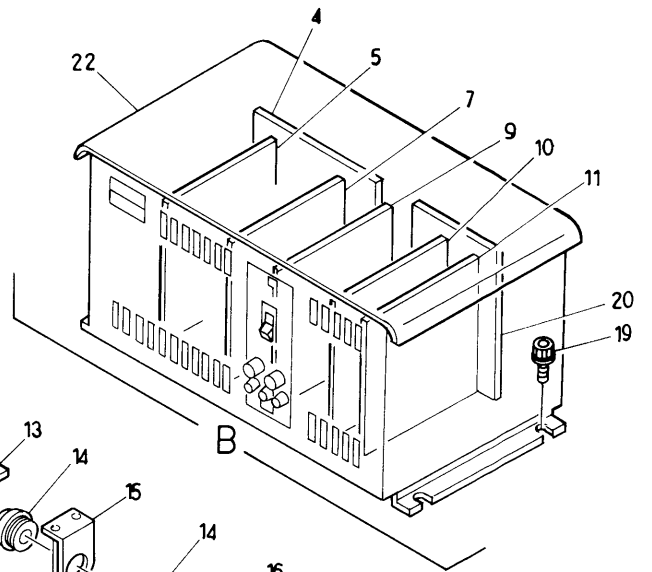
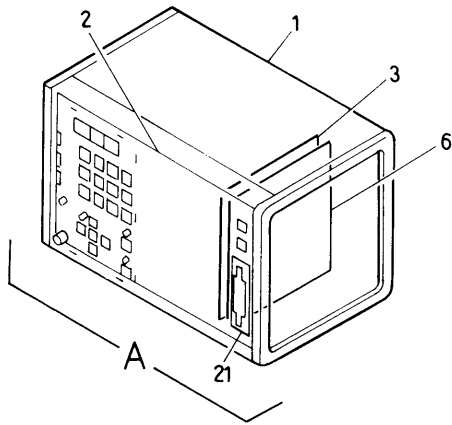


**BEMR-YN**  
**BEMS-YN**  
**BEMX-YN**

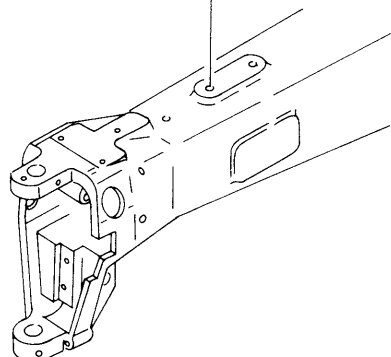
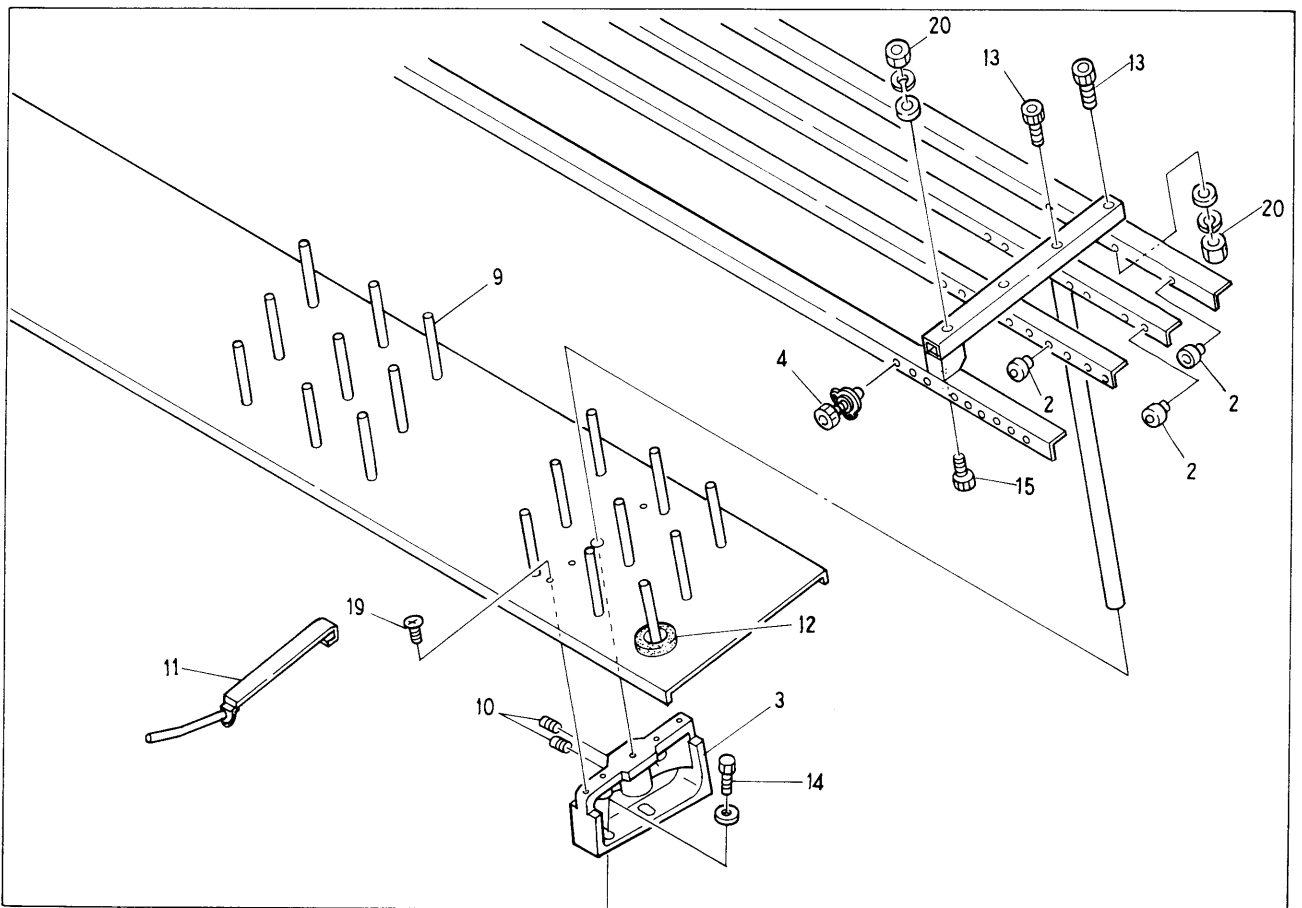
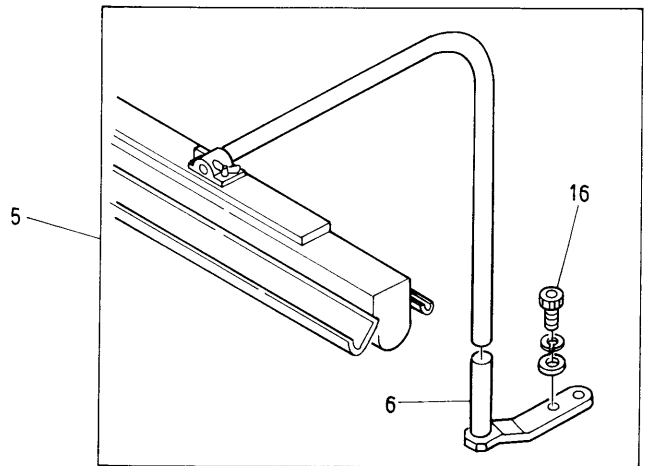
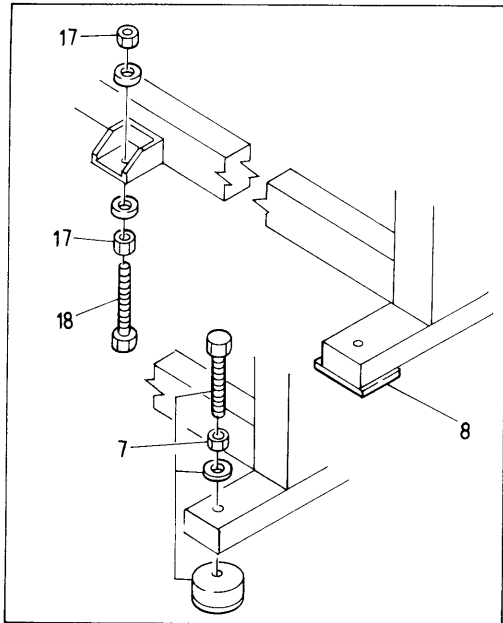


⑰ Control system <BEMS-YN>

ITEM	LIST No.	DESCRIPTION	Q'TY	REMARK
1	EAY021A3	Automat controller (BEMS)	1	
2	EBY00990	7030 ON/OFF board	1	
3	EBY00970	7010 CPU board	1	
4	EBY00940	4920 Memory board (17400 needle)	1	
5	EBY00950	4930 FD control board	1	
6	EBY00980	7020 Display/Switch board	1	
7	EBY00570	4590 B/B•L board	1	
8	EBY00540	4540 Pulse motor control board	1	
9	EBY00530	4530 Inverter board	1	
10	EBY00550	4560 Power control board	1	
11	KF530160	Bar switch	1	
12	KC530240	Bar switch bracket (S)	5	
13	KF530111	Push botton switch MS319 (Red)	1	
	KF530120	Push botton switch MS319 (Green)	1	
14	KC530230	Bar switch bracket (L)	2	
15	KF530151	Push botton switch cap	2	
16		Tapping screw M4×20		
17	KC520020	Transformer cover set	1	
18		Hex, socket flange bolt M6×12		
19	KF530171	Bar switch cap	2	
20	EBY00520	4520 Solenoid board	1	
21	EBY00510	4510 Interface board	1	
22	EBY00560	4580 B/B•R board	1	
23	EBY00630	Floppy disk drive FD-1137C	1	
24	EAY021A2	Automat driver (BEMS)	1	
25	EAY021A3	Automat transformer (BEMS) 3 P	1	
	EAY022A3	Automat transformer (BEMS) 1 P	1	



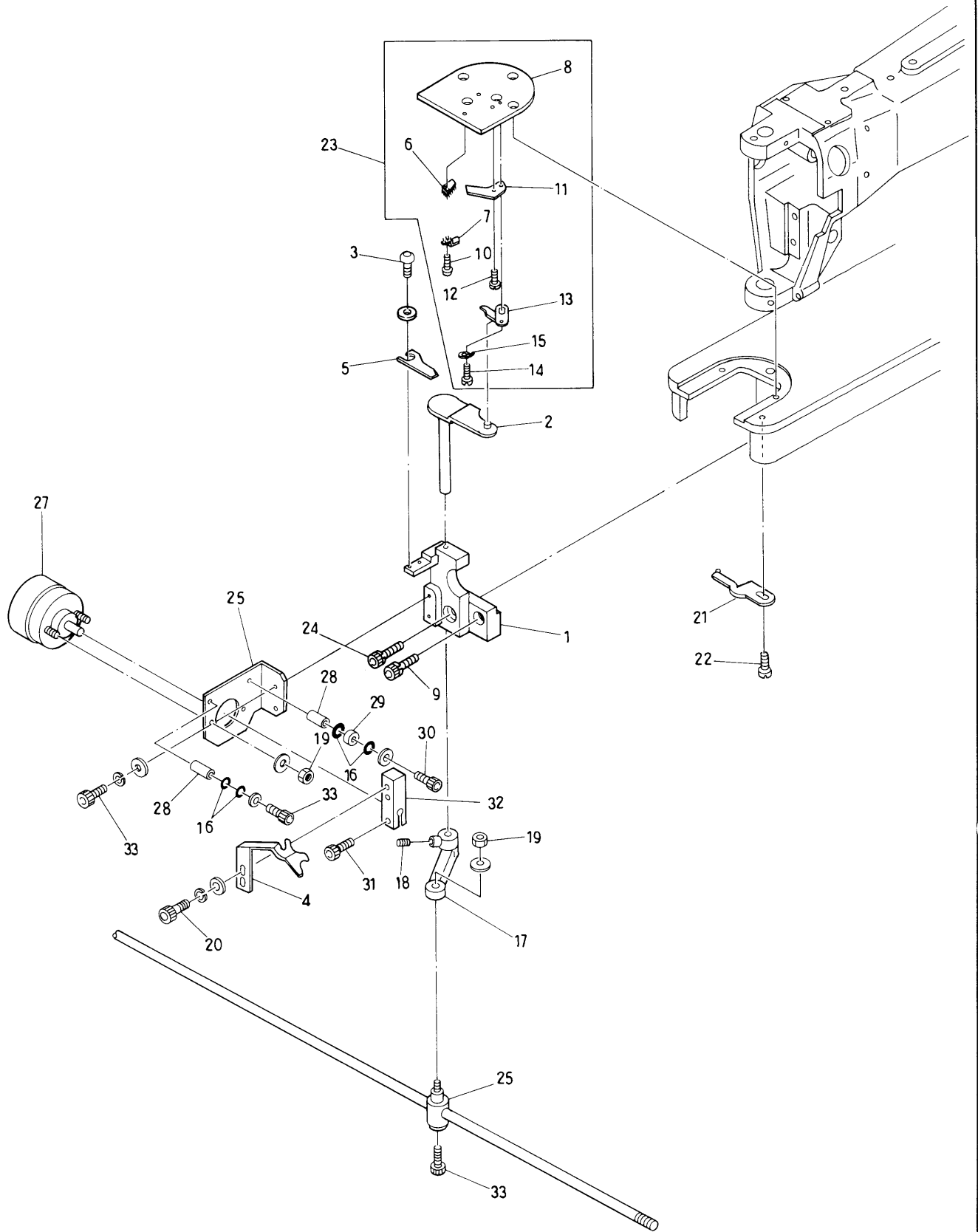






Barudan

①9 Automatic thread cutting mechanism I  
(Thread cutting section)

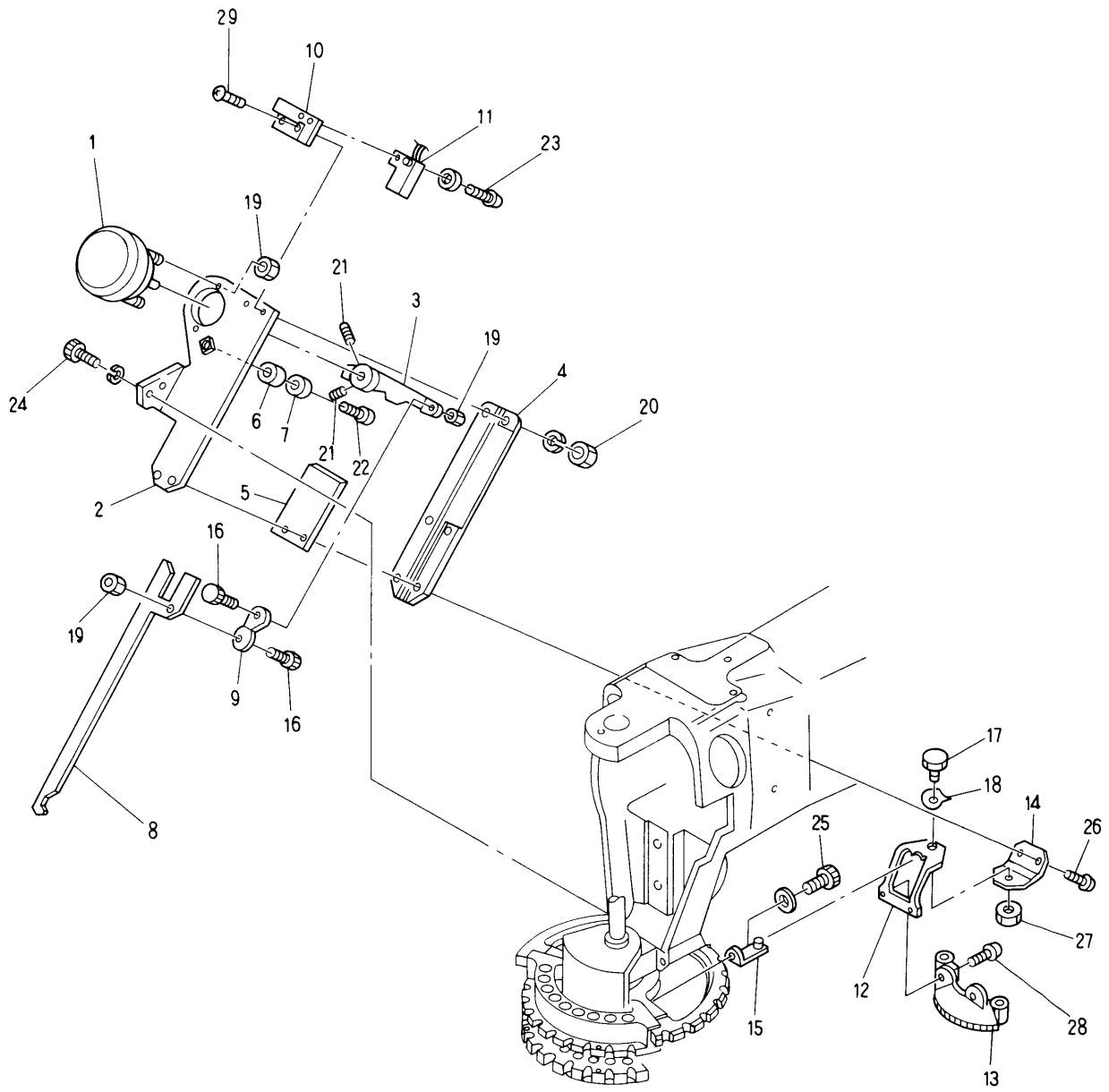


MODEL  
BEMR-YN  
BEMS-YN  
BEMX-YN

## ⑴ Automatic thread cutting mechanism I (Thread cutting section)

(H=Head Q'TY)

ITEM	LIST №	DESCRIPTION	Q'TY	REMARK
1	KN 2 7 1 5 2 1	Thread knife bracket	H × 1	For small bobbin
	HP 2 7 2 5 5 0	Thread knife bracket	H × 1	For middle bobbin
2	KN 2 7 1 9 8 0	Lower knife driving lever	H × 1	For small bobbin
	HP 2 7 2 5 6 0	Lower knife driving lever	H × 1	For middle bobbin
3		Hex, socket button bolt M 3 × 6		
4	KN 2 7 1 6 4 4	Needle thread hook	H × 1	
5	KB 2 7 0 0 1 0	Upper knife	H × 1	
6	KN 2 7 1 2 2 0	Bobbin thread support stay (Upper) CMP	H × 1	
7	KN 2 7 1 1 9 0	Bobbin thread support stay (Lower) CMP	H × 1	
8	KN 2 5 0 1 3 1	Throat plate (for thread cutter)	H × 1	
9		Hex, socket bolt M 6 × 20 (With spring washer)		
1 0		Round screw M 2.5 × 3		
1 1	KN 2 7 0 9 6 0	Fixed knife	H × 1	
1 2	KC 2 7 0 9 8 0	Fixed knife set screw	H × 1	
1 3	KN 2 7 0 9 5 0	Lower knife	H × 1	
1 4	KC 2 7 0 9 7 0	Lower knife turret shaft	H × 1	
1 5	A 9 0 1 3 0 4 5	Wave washer (WW-5)	H × 1	
1 6	KN 2 7 2 5 4 0	O-Ring (1AP8)	H × 4	
1 7	KN 2 7 1 5 6 0	Knife lever	H × 1	
1 8		Hex, socket set screw M 5 × 6		
1 9		Hex, nut M 4		
2 0		Hex, socket bolt M 3 × 10		
2 1	KN 2 7 1 6 7 1		H × 1	
2 2		Screw (SM11/64 40 × 12)		
2 3	KN 2 7 2 0 0 2	Throat plate (for thread cutting) CMP	H × 1	
2 4		Hex, socket bolt M 6 × 35 (With spring washer)		
2 5	KF 2 3 0 6 4 0	Lock connecting bar clamp	H × 1	
2 6	KN 2 7 1 6 2 0	Solenoid stay	H × 1	For small bobbin
	HP 2 7 2 5 7 0	Solenoid stay	H × 1	For middle bobbin
2 7	A 9 0 5 6 0 1 0	Rotary solenoid (4EL25-33 × 3 × 8 × 9)	H × 1	
2 8	KN 2 7 1 6 5 1	Eccentric stopper	H × 2	
2 9	KN 2 7 1 6 6 2	Stopper eccentric cover	H × 1	
3 0		Hex, socket bolt M 4 × 20		
3 1		Hex, socket bolt M 4 × 10		
3 2	KN 2 7 1 6 3 0	Solenoid lever	H × 1	
3 3		Hex, socket bolt M 4 × 8		



MODEL

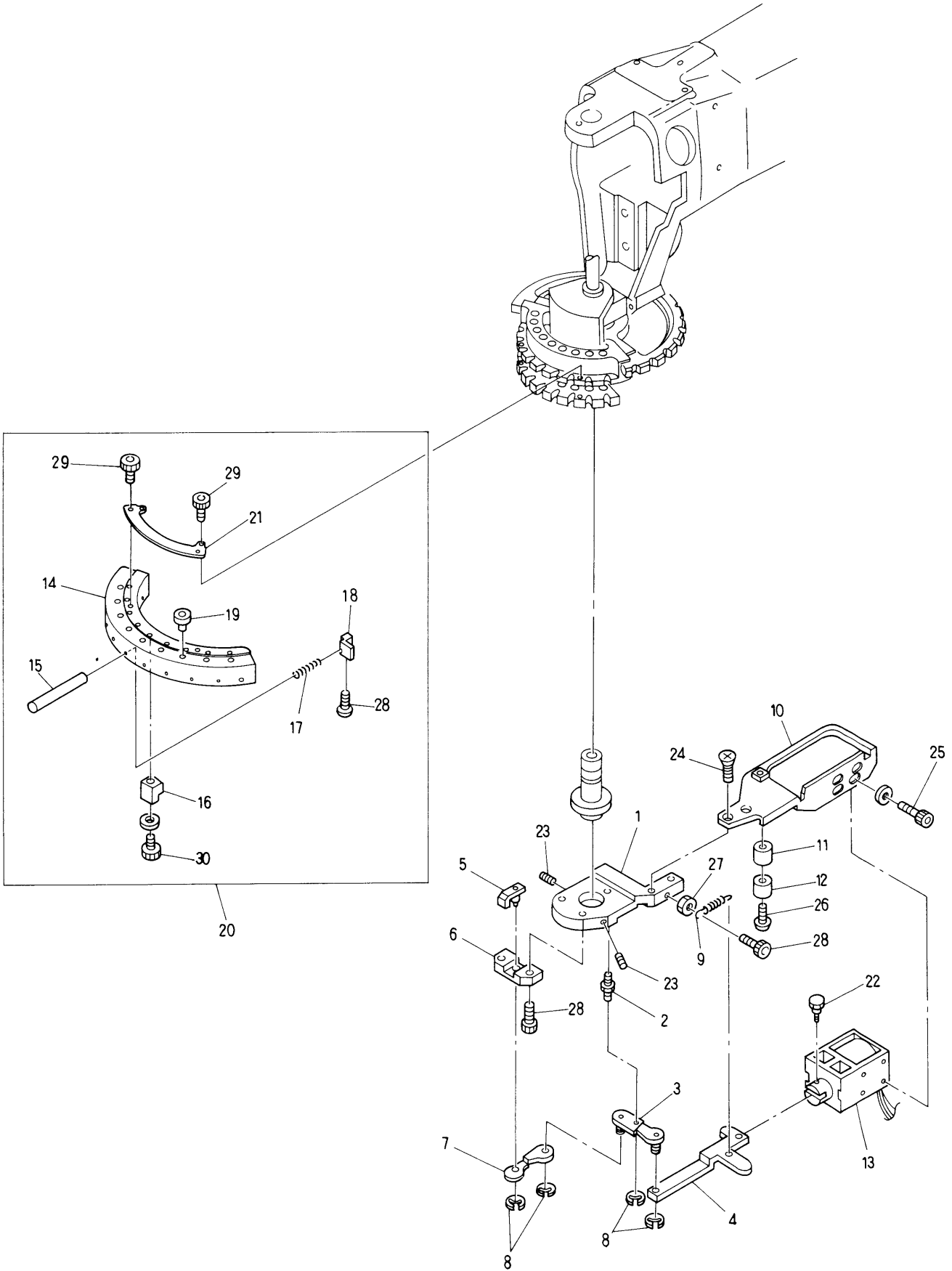
BEMR-YN  
BEMS-YN  
BEMX-YN



⑳ Automatic thread cutting mechanismⅡ (Thread away section)

(H=Head Q' TY)

ITEM	LIST No.	DESCRIPTION	Q'TY	REMARK
1	A 9 0 5 6 0 1 8	Rotary solenoid (4ER67.5-34×8×9) Orange	H×1	
2	KL 2 7 0 0 8 1	Thread away base	H×1	
3	KL 2 7 0 1 1 0	Thread away solenoid lever	H×1	
4	KL 2 7 0 0 9 1	Thread away hook guide	H×1	
5	KL 2 7 0 4 5 0	Hook guide plate	H×1	
6	KL 2 7 0 1 5 0	Eccentric cover	H×1	
7	KL 2 7 0 1 4 0	Stopper eccentric	H×1	
8	KL 2 7 0 1 0 1	Thread away hook	H×1	
9	KL 2 7 0 1 2 0	Connecting plate	H×1	
10	KL 2 7 0 2 6 0	Switch stay	H×1	
11	A 9 0 5 2 0 2 8	Proximity switch (RS-603)	H×1	
12	KL 2 7 0 4 3 0	Thread hanger plate fixing stay	H×1	
13	KL 2 7 0 4 0 0	Thread hanger plate CMP	H×1	
14	KL 2 7 0 4 4 0	Rotary shaft fixing stay	H×1	
15	KL 2 7 0 4 2 0	Thread hanger driving pin	H×1	
16	KL 2 7 0 1 3 0	Lever connecting pin	H×2	
17	KL 2 7 0 4 1 0	Thread hanger plate rotary shaft	H×1	
18	A 9 0 1 3 0 4 5	Wave washer (WW5)	H×1	
19		Hex, nut M 4		
20		Hex, nut M 3		
21		Hex, socket set screw M 4 × 8		
22		Truss screw M 4 × 16		
23		Truss screw M 3 × 6		
24		Hex, socket bolt M 4 × 12		
25		Hex, socket bolt M 3 × 8		
26		Truss screw M 3 × 7		
27		Hex, nut M 3		
28		Truss screw M 3 × 4		
29		Truss screw M 3 × 10		



MODEL  
BEMR-YN  
BEMS-YN  
BEMX-YN

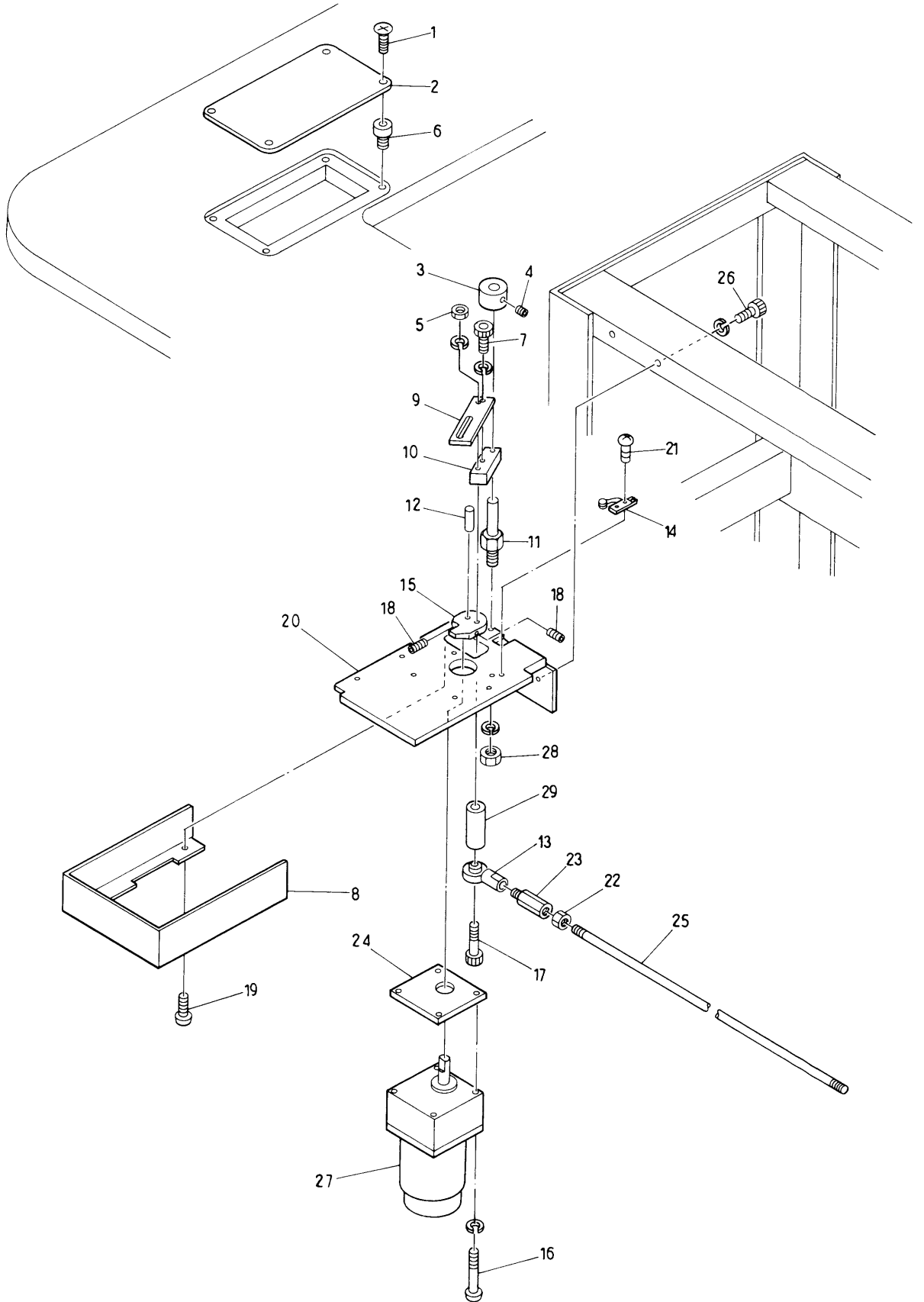
②1 Automatic thread cutting mechanismⅢ( Thread support section)

(H=Head Q' TY)

ITEM	LIST No	DESCRIPTION	Q'TY	REMARK
1	KL 270000	Fixing base	H×1	
2	KL 270040	Lever turret pin	H×1	
3	KL 270050	Solenoid lever	H×1	
4	KL 270060	Lever connecting plate	H×1	
5	KL 270020	Thread support slider	H×1	
6	KL 270010	Slide base	H×1	
7	KL 270030	Driving plate	H×1	
8	A 9012056	E-Ring φ3	H×1	
9	KL 270520	Return spring	H×1	
10	KL 270070	Solenoid stay	H×1	
11	KL 270150	Eccentric cover	H×1	
12	KL 270140	Stopper eccentric	H×1	
13	A 9056013	Keep solenoid (TDS-K10SL)	H×1	
14	HT 270000	Thread support apron	H×9	
15	KG 270310	Thread support shaft	H×9	
16	KC 270292	Thread support block	H×9	
17	KC 270271	Support spring	H×9	
18	HT 270020	Thread support clamp	H×9	
19	KF 230580	Take up lever ceramic	H×9	
20	HT 270030	Thread support apron a'ssy	H×1	
21	HT 270010	Thread support apron fixing stay	H×1	
22	KC 270101	Solenoid pin	H×1	
23		Hex. socket set screw M4×8		
24		Flush screw M4×8		
25		Hex. socket bolt M3×6		
26		Truss screw M4×16		
27		Hex. nut M4		
28	HT 270061	Hex. socket button bolt M3×6	H×9	
29		Hex. socket bolt (Planting) M3×6	H×4	
30		Hex. socket bolt M3×10		

Barudan

② Automatic thread cutting mechanism IV  
(Thread cutting drive section)



MODEL

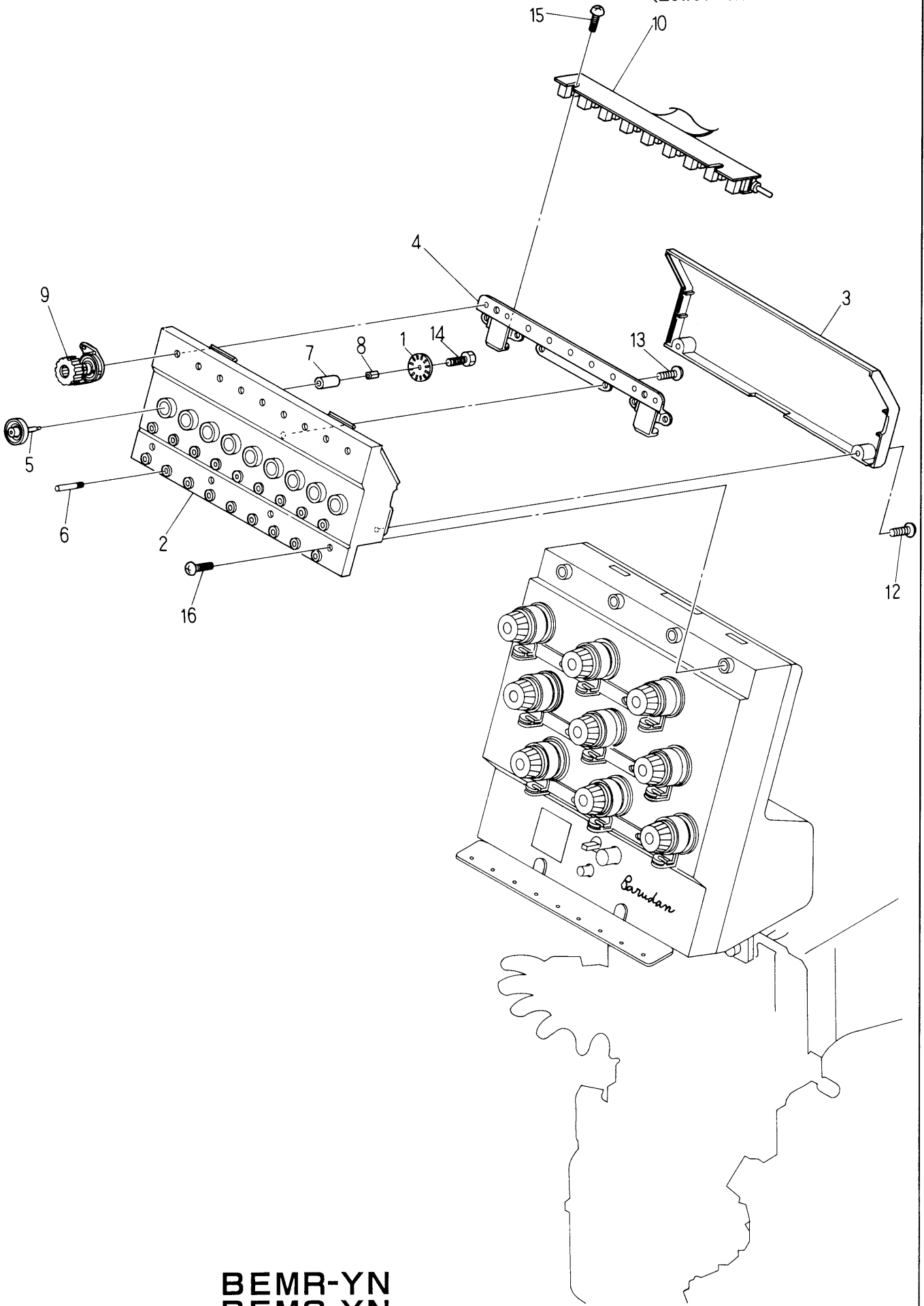
BEMR-YN  
BEMS-YN  
BEMX-YN

②② Automatic thread cutting mechanismIV (Thread cutting drive section)

ITEM	LIST No.	DESCRIPTION	Q'TY	REMARK
1		Flush screw M4 × 8 (Under cut)		
2	KC 2 7 1 4 4 0	Drive servece cover	1	
3	KC 3 3 0 1 8 0	Collar φ10	1	
4		Hex, socket set screw M5 × 6		
5		Hex, nut M6		
6		Rag nut (C) M4		
7		Hex, socket bolt M6 × 15		
8	KN 2 7 1 7 1 2	Motor bracket cover	1	
9	KN 2 7 1 9 9 0	Motor lever	1	
10	KN 2 7 1 7 8 1	Drive lever	1	
11	KN 2 7 1 7 5 0	Motor lever turret shaft	1	
12	KN 2 7 2 3 5 0	Parallel pin φ6 (L=35)	1	
13	A 9 0 1 2 0 0 2	Uniball joint (PR-6)	1	
14	A 9 0 5 2 0 0 5	Micro switch (V-01GL2255)	1	
15	KN 2 7 1 7 3 1	Drive cam	1	
16		Pan screw M5 × 65		
17		Hex, socket bolt M6 × 55		
18		Hex, socket set screw M5 × 8		
19		Truss screw M3 × 6		
20	KN 2 7 1 7 0 0	Motor bracket	1	
21		Truss screw M3 × 15		
22		Hex, nut M5		
23	HH 3 3 0 7 6 0	Hex, connecting bar	1	
24	KN 2 7 1 7 2 0	Motor speser	1	
25	KC 3 3 0 4 1 0	Look connecting rod (2M)	2	
26		Hex, socket bolt M8 × 20		
27	A 9 0 6 5 0 2 8	Reversible motor RM-F7A12PEAA(7RHD30)	1	
28		Hex, nut M8		
29	KN 2 7 1 8 0 0	Drive lever collar	1	

Barudan

⑳ Thread guide mechanism  
(Lower thread sensorium)



MODEL **BEMR-YN**  
**BEMS-YN**  
**BEMX-YN**







# I N D E X

LIST No.	PAGE No.	ITEM	LIST No.	PAGE No.	ITEM
1AE153203500	3	14	A9052031	29	9
1BE153203500	3	1	A9052031	33	21
1HP12300	41	1	A9056010	43	27
1KN153203500	3	13	A9056013	47	13
1LKC450020	25	13	A9056018	45	1
1PKB15320350	5	16	A9056020	15	6
A9010017	5	5	A9065028	49	27
A9011017	23	4	A9065035	19	27
A9011021	9	7	EAY017A1	35	25
A9011021	11	21	EAY021A2	35	26
A9011022	11	23	EAY021A2	37	24
A9011023	11	20	EAY021A3	35	22
A9011063	27	10	EAY021A3	37	1
A9011063	31	9	EAY021A3	37	25
A9011115	13	9	EAY021A3	39	23
A9011152	9	6	EAY022A3	35	22
A9012001	19	13	EAY022A3	37	25
A9012002	21	8	EAY022A3	39	23
A9012002	49	13	EAY023A1	39	1
A9012007	5	31	EBY00450	35	1
A9012051	15	20	EBY00460	35	2
A9012052	27	19	EBY00470	35	3
A9012052	33	14	EBY00480	35	4
A9012053	11	31	EBY00490	35	5
A9012056	47	8	EBY00500	35	24
A9012137	21	7	EBY00510	35	11
A9012143	21	5	EBY00510	37	21
A9012164	9	29	EBY00510	39	11
A9012190	13	4	EBY00520	35	10
A9012208	19	20	EBY00520	37	20
A9012291	11	17	EBY00520	39	10
A9013045	43	15	EBY00530	35	8
A9013045	45	18	EBY00530	37	9
A9014051	15	19	EBY00530	39	7
A9014055	11	19	EBY00540	35	7
A9014063	5	18	EBY00540	37	8
A9020098	27	21	EBY00540	39	5
A9020098	33	3	EBY00550	35	9
A9020200	23	16	EBY00550	37	10
A9052005	49	14	EBY00550	39	9
A9052024	29	7	EBY00560	35	12
A9052024	33	18	EBY00560	37	22
A9052028	45	11	EBY00560	39	20
A9052030	29	2	EBY00570	35	6
A9052030	33	6	EBY00570	37	7

I N D E X

L I S T	No.	PAGE No.	ITEM	L I S T	No.	PAGE No.	ITEM
E B Y 0 0 5 7 0		3 9	4	H H 1 2 0 9 0 0		4 1	7
E B Y 0 0 6 3 0		3 5	2 1	H H 3 2 0 5 5 0		2 3	2 7
E B Y 0 0 6 3 0		3 7	2 3	H H 3 3 0 7 6 0		4 9	2 3
E B Y 0 0 6 3 0		3 9	2 1	H H 4 8 1 9 0 0		2 9	3
E B Y 0 0 9 3 0		3 9	2	H H 4 8 1 9 0 0		3 1	2
E B Y 0 0 9 4 0		3 7	4	H H 4 8 1 9 3 1		2 9	5
E B Y 0 0 9 4 0		3 9	3	H H 4 8 1 9 3 1		3 1	6
E B Y 0 0 9 5 0		3 7	5	H H 4 8 1 9 7 0		2 7	1 2
E B Y 0 0 9 5 0		3 9	6	H H 4 8 1 9 7 0		3 1	1 0
E B Y 0 0 9 7 0		3 7	3	H H 4 8 1 9 8 0		2 7	8
E B Y 0 0 9 8 0		3 7	6	H H 4 8 1 9 9 1		2 7	1 6
E B Y 0 0 9 9 0		3 7	2	H H 4 8 1 9 9 1		3 3	1 7
E B Y 0 1 1 0 0		1 7	1 2	H H 4 8 2 1 1 0		2 7	1 7
E B Y 0 1 1 2 0		1 9	6	H H 4 8 2 1 1 0		3 3	1 6
E B Y 0 2 1 A 2		3 9	2 2	H P 2 3 1 3 9 0		5	1 3
H B 2 2 0 0 1 0		7	1 4	H P 2 4 1 4 3 0		4 1	4
H B 2 3 0 1 4 0		1 1	2 2	H P 2 7 2 5 5 0		4 3	1
H B 2 3 0 1 6 0		9	2 0	H P 2 7 2 5 6 0		4 3	2
H B 2 3 0 1 7 0		1 1	2 4	H P 2 7 2 5 7 0		4 3	2 6
H B 2 3 0 2 7 0		9	2 1	H P 3 2 1 1 4 0		5	2 5
H B 2 3 0 2 9 1		9	4	H P 4 8 2 9 4 0		2 7	7
H B 2 3 0 3 7 2		1 3	1 0	H P 4 8 2 9 4 0		3 3	1 3
H B 2 3 0 3 8 3		1 3	5	H P 4 8 2 9 5 0		2 7	5
H B 2 3 0 3 9 0		1 3	3	H P 4 8 2 9 5 0		3 3	1 2
H B 2 3 0 4 0 1		1 3	1	H P 4 8 2 9 8 0		2 7	1 8
H B 2 3 0 4 1 4		1 3	1 2	H P 4 8 2 9 8 0		3 3	1 5
H B 2 3 0 4 2 0		1 3	1 1	H P 4 8 2 9 9 0		2 7	9
H B 2 3 0 4 6 0		1 5	5	H P 4 8 2 9 9 0		3 1	3
H B 2 3 0 4 7 0		1 5	4	H P 4 8 3 1 1 1		3 3	8
H B 2 3 0 5 6 0		1 5	7	H P 4 8 3 3 7 0		2 7	1
H B 2 3 0 5 8 0		1 5	1 3	H P 4 8 3 3 7 0		3 3	7
H B 2 3 0 5 9 0		1 3	2	H P 4 8 3 3 9 1		2 7	2
H B 2 3 0 6 5 0		9	3 5	H P 7 1 0 7 9 0		4 1	3
H B 2 3 0 7 5 0		9	2 2	H T 2 3 0 0 0 0		1 1	1 8
H B 2 4 0 0 2 0		1 5	1 4	H T 2 3 0 0 4 1		1 1	7
H B 2 4 0 0 3 0		1 5	1 5	H T 2 3 0 0 5 1		1 1	5
H B 2 4 0 0 4 0		1 5	9	H T 2 3 0 0 6 1		1 1	1 6
H B 2 4 0 0 5 0		1 5	1 0	H T 2 3 0 0 8 0		9	1 5
H B 2 4 0 0 7 0		1 5	1 8	H T 2 3 0 0 9 0		9	1 1
H B 2 4 0 0 8 0		1 5	2 2	H T 2 3 0 1 0 0		9	1 2
H B 2 4 0 0 9 0		1 5	2 1	H T 2 3 0 1 1 0		1 1	1 5
H B 2 4 0 1 1 0		1 5	1 7	H T 2 3 0 1 3 0		1 1	3
H B 2 4 0 3 1 0		1 5	8	H T 2 3 0 1 4 1		1 1	9
H B 2 4 0 3 3 0		1 5	1 2	H T 2 3 0 1 5 1		1 1	4
H B 2 4 0 3 4 0		1 5	1 1	H T 2 3 0 1 8 0		1 1	2 8

# I N D E X

LIST	No.	PAGE	ITEM	LIST	No.	PAGE	ITEM
HT 2 3 0 1 9 0	1 1		2	KB 2 3 0 1 0 0	9		8
HT 2 3 0 2 0 1	1 3		2 1	KB 2 3 0 1 1 0	9		9
HT 2 3 0 2 5 0	1 1		8	KB 2 3 0 1 6 1	9		1
HT 2 4 0 0 0 0	9		2	KB 2 3 0 1 7 0	1 5		3
HT 2 4 0 0 1 0	9		1 8	KB 2 4 0 0 1 0	9		1 4
HT 2 4 0 0 2 0	1 7		9	KB 2 4 0 0 2 1	9		3
HT 2 4 0 0 6 0	1 7		1 0	KB 2 4 0 0 3 0	1 5		2
HT 2 4 0 1 0 0	5 1		1	KB 2 4 0 0 4 0	1 5		1 6
HT 2 4 0 1 2 0	1 7		1	KB 2 4 0 0 5 1	1 7		1 3
HT 2 4 0 1 3 0	1 7		2	KB 2 5 0 0 2 0	1 7		2 1
HT 2 4 0 1 4 0	1 7		3	KB 2 5 0 0 3 0	1 7		2 2
HT 2 4 0 1 5 0	1 7		4	KB 2 5 0 0 4 0	1 7		2 3
HT 2 4 0 1 6 0	1 7		5	KB 2 5 0 0 5 0	1 7		2 5
HT 2 4 0 1 7 0	1 7		6	KB 2 5 0 0 6 0	1 7		2 6
HT 2 4 0 1 8 0	1 7		7	KB 2 7 0 0 1 0	4 3		5
HT 2 4 0 2 1 0	1 7		1 5	KC 1 1 0 9 1 0	3		4
HT 2 4 0 2 2 0	1 7		1 6	KC 1 1 0 9 7 0	4 1		8
HT 2 4 0 2 3 0	1 7		1 7	KC 1 2 0 8 1 1	3		1 0
HT 2 4 0 2 4 0	1 7		1 8	KC 1 2 0 8 3 0	3		8
HT 2 4 0 2 5 0	5 1		2	KC 1 2 0 8 4 1	3		9
HT 2 4 0 2 7 0	5 1		3	KC 1 2 0 8 6 0	3		2
HT 2 4 0 2 8 0	5 1		4	KC 1 3 0 1 9 1 2 3 0 3 5	3		6
HT 2 4 0 2 9 0	5 1		5	KC 2 2 0 2 1 0	7		1 7
HT 2 4 0 3 0 0	5 1		6	KC 2 5 1 3 3 0	5		2 9
HT 2 4 0 3 1 0	5 1		7	KC 2 7 0 1 0 1	4 7		2 2
HT 2 4 0 3 2 0	1 7		1 4	KC 2 7 0 2 7 1	4 7		1 7
HT 2 4 0 3 3 0	1 7		1 9	KC 2 7 0 2 9 2	4 7		1 6
HT 2 4 0 3 4 0	5 1		9	KC 2 7 0 9 7 0	4 3		1 4
HT 2 7 0 0 0 0	4 7		1 4	KC 2 7 0 9 8 0	4 3		1 2
HT 2 7 0 0 1 0	4 7		2 1	KC 2 7 1 4 4 0	4 9		2
HT 2 7 0 0 2 0	4 7		1 8	KC 3 1 2 8 9 0	2 3		2 9
HT 2 7 0 0 3 0	4 7		2 0	KC 3 1 2 9 1 1	2 3		2 1
HT 2 7 0 0 6 1	4 7		2 8	KC 3 1 2 9 2 1	2 3		3 1
KB 2 1 0 1 6 0	5		1	KC 3 2 0 5 9 0	2 3		2 6
KB 2 1 0 1 7 0	1 5		1	KC 3 2 0 8 2 0	5		9
KB 2 1 0 1 8 0	7		1	KC 3 3 0 1 6 1	1 9		9
KB 2 3 0 0 1 1	5		3 0	KC 3 3 0 1 7 0	1 9		3
KB 2 3 0 0 2 1	5		3 0	KC 3 3 0 1 8 0	1 9		7
KB 2 3 0 0 3 0	5		2 7	KC 3 3 0 1 8 0	1 9		1 0
KB 2 3 0 0 4 0	5		2 7	KC 3 3 0 1 8 0	4 9		3
KB 2 3 0 0 5 0	5		2 8	KC 3 3 0 1 9 0	1 9		8
KB 2 3 0 0 6 0	1 3		8	KC 3 3 0 2 1 0	1 9		2 5
KB 2 3 0 0 7 0	1 3		7	KC 3 3 0 2 3 0	2 1		6
KB 2 3 0 0 8 0	1 3		6	KC 3 3 0 2 6 0	2 1		1 2
KB 2 3 0 0 9 0	9		5	KC 3 3 0 2 8 0	1 9		2

# I N D E X

L I S T	No.	PAGE No.	ITEM	L I S T	No.	PAGE No.	ITEM
K C 3 3 0 2 9 0		2 1	3	K F 2 3 0 6 4 0		4 3	2 5
K C 3 3 0 4 1 0		1 1	2 5	K F 2 3 0 6 5 0		1 3	1 5
K C 3 3 0 4 1 0		1 3	1 8	K F 2 3 0 6 6 1		1 3	1 9
K C 3 3 0 4 1 0		4 9	2 5	K F 2 3 0 6 7 0		1 3	2 0
K C 3 3 0 5 1 0		2 1	9	K F 2 3 0 9 1 0		1 1	1 0
K C 3 3 0 6 1 0		1 9	2 1	K F 2 3 0 9 3 0		1 1	1 1
K C 3 3 0 8 5 0		2 1	1 1	K F 2 4 0 9 0 0		4 1	2
K C 3 3 0 9 1 0		2 1	1 6	K F 2 5 0 9 0 0		7	1 8
K C 4 5 0 0 2 0		2 5	1	K F 3 3 0 3 8 1		1 1	2 7
K C 4 7 0 4 6 0		3 3	2 2	K F 3 3 0 3 8 1		1 3	1 7
K C 4 8 0 1 5 2		2 5	8	K F 5 3 0 1 1 1		3 5	1 5
K C 4 8 0 1 6 0		2 5	7	K F 5 3 0 1 1 1		3 7	1 3
K C 4 8 0 3 5 0		2 5	1 1	K F 5 3 0 1 1 1		3 9	1 4
K C 5 2 0 0 2 0		3 5	1 9	K F 5 3 0 1 2 0		3 5	1 5
K C 5 2 0 0 2 0		3 7	1 7	K F 5 3 0 1 2 0		3 7	1 3
K C 5 2 0 0 2 0		3 9	1 8	K F 5 3 0 1 2 0		3 9	1 4
K C 5 3 0 2 3 0		3 5	1 6	K F 5 3 0 1 5 1		3 5	1 7
K C 5 3 0 2 3 0		3 7	1 4	K F 5 3 0 1 5 1		3 7	1 5
K C 5 3 0 2 3 0		3 9	1 5	K F 5 3 0 1 5 1		3 9	1 6
K C 5 3 0 2 4 0		3 5	1 4	K F 5 3 0 1 6 0		3 5	1 3
K C 5 3 0 2 4 0		3 7	1 2	K F 5 3 0 1 6 0		3 7	1 1
K C 5 3 0 2 4 0		3 9	1 3	K F 5 3 0 1 6 0		3 9	1 2
K F 2 2 0 1 3 0		5	1 1	K F 5 3 0 1 7 1		3 5	2 3
K F 2 2 0 2 3 0		7	1 3	K F 5 3 0 1 7 1		3 7	1 9
K F 2 2 0 2 7 1		7	4	K F 5 3 0 1 7 1		3 9	8
K F 2 2 0 2 9 0		7	8	K F 7 1 0 3 0 0		4 1	5
K F 2 2 0 3 0 2		7	1 6	K F 7 1 0 3 9 0		4 1	1 2
K F 2 2 0 4 1 0		7	1 5	K F 7 3 0 7 9 0		2 5	1 4
K F 2 2 0 4 2 1		7	1 5	K G 2 3 0 6 1 0		2 1	1
K F 2 2 0 4 4 0		7	1 6	K G 2 7 0 3 1 0		4 7	1 5
K F 2 2 0 4 6 0		5	1 9	K G 3 3 0 2 2 0		1 9	1 4
K F 2 2 0 4 7 0		7	5	K G 7 1 0 1 6 1		4 1	6
K F 2 2 0 4 8 0		7	1 0	K K 3 1 0 0 3 0		2 3	2
K F 2 2 0 5 1 1		7	1 2	K K 3 1 0 0 4 0		2 3	1 9
K F 2 2 0 7 5 0		7	1 4	K L 2 1 0 1 4 0		5	2
K F 2 3 0 2 3 0		1 1	1 2	K L 2 2 0 0 0 0		5	1 0
K F 2 3 0 2 4 0		1 1	1 3	K L 2 2 0 0 1 0		5	1 7
K F 2 3 0 2 5 0		1 1	1 4	K L 2 2 0 0 2 0		5	2 6
K F 2 3 0 3 6 0		1 9	1 7	K L 2 2 0 0 3 0		5	1 5
K F 2 3 0 4 2 0		5	2 3	K L 2 2 0 0 4 0		5	6
K F 2 3 0 5 0 0		9	1 3	K L 2 2 0 0 5 0		5	2 1
K F 2 3 0 5 8 0		4 7	1 9	K L 2 2 0 0 6 0		7	7
K F 2 3 0 6 3 0		1 3	1 4	K L 2 2 0 0 7 0		7	9
K F 2 3 0 6 3 0		2 1	2	K L 2 2 0 0 8 0		5	1 2
K F 2 3 0 6 4 0		1 3	1 6	K L 2 2 0 0 9 0		5	4

# I N D E X

LIST	No.	PAGE No.	ITEM	LIST	No.	PAGE No.	ITEM
KL 2 2 0 1 0 0		5	3	KN 2 1 0 2 1 0		7	1
KL 2 2 0 1 2 0		7	1 1	KN 2 3 1 3 5 0		2 1	1 4
KL 2 2 0 1 3 0		5	1 4	KN 2 5 0 1 3 1		7	2
KL 2 2 0 1 4 0		5	2 0	KN 2 5 0 1 3 1		4 3	8
KL 2 2 0 1 4 0		7	6	KN 2 7 0 9 5 0		4 3	1 3
KL 2 2 0 1 5 0		5	8	KN 2 7 0 9 6 0		4 3	1 1
KL 2 3 0 2 8 0		1 3	1 3	KN 2 7 1 1 9 0		4 3	7
KL 2 5 0 0 4 0		5	7	KN 2 7 1 2 2 0		4 3	6
KL 2 5 0 0 5 1		7	3	KN 2 7 1 5 2 1		4 3	1
KL 2 7 0 0 0 0		4 7	1	KN 2 7 1 5 6 0		4 3	1 7
KL 2 7 0 0 1 0		4 7	6	KN 2 7 1 6 2 0		4 3	2 6
KL 2 7 0 0 2 0		4 7	5	KN 2 7 1 6 3 0		4 3	3 2
KL 2 7 0 0 3 0		4 7	7	KN 2 7 1 6 4 4		4 3	4
KL 2 7 0 0 4 0		4 7	2	KN 2 7 1 6 5 1		4 3	2 8
KL 2 7 0 0 5 0		4 7	3	KN 2 7 1 6 6 2		4 3	2 9
KL 2 7 0 0 6 0		4 7	4	KN 2 7 1 6 7 1		4 3	2 1
KL 2 7 0 0 7 0		4 7	1 0	KN 2 7 1 7 0 0		4 9	2 0
KL 2 7 0 0 8 1		4 5	2	KN 2 7 1 7 1 2		4 9	8
KL 2 7 0 0 9 1		4 5	4	KN 2 7 1 7 2 0		4 9	2 4
KL 2 7 0 1 0 1		4 5	8	KN 2 7 1 7 3 1		4 9	1 5
KL 2 7 0 1 1 0		4 5	3	KN 2 7 1 7 5 0		4 9	1 1
KL 2 7 0 1 2 0		4 5	9	KN 2 7 1 7 8 1		4 9	1 0
KL 2 7 0 1 3 0		4 5	1 6	KN 2 7 1 8 0 0		4 9	2 9
KL 2 7 0 1 4 0		4 5	7	KN 2 7 1 9 8 0		4 3	2
KL 2 7 0 1 4 0		4 7	1 2	KN 2 7 1 9 9 0		4 9	9
KL 2 7 0 1 5 0		4 5	6	KN 2 7 2 0 0 2		4 3	2 3
KL 2 7 0 1 5 0		4 7	1 1	KN 2 7 2 3 5 0		4 9	1 2
KL 2 7 0 2 6 0		4 5	1 0	KN 2 7 2 5 4 0		4 3	1 6
KL 2 7 0 4 0 0		4 5	1 3	KN 3 1 0 0 0 0		2 3	1 1
KL 2 7 0 4 1 0		4 5	1 7	KN 3 1 0 0 1 0		2 3	1 5
KL 2 7 0 4 2 0		4 5	1 5	KN 3 1 0 0 5 0		2 3	8
KL 2 7 0 4 3 0		4 5	1 2	KN 3 1 2 8 1 0		2 3	1 7
KL 2 7 0 4 4 0		4 5	1 4	KN 3 1 2 8 2 0		2 3	2 4
KL 2 7 0 4 5 0		4 5	5	KN 3 1 2 9 4 0		2 3	5
KL 2 7 0 5 2 0		4 7	9	KN 3 1 3 6 7 0		2 3	1 0
KL 3 1 0 0 7 1		2 3	3 4	KN 3 1 5 1 1 0		2 3	1 3
KL 3 1 0 0 8 1		2 3	3 8	KN 3 1 5 1 3 0		2 3	7
KL 3 1 0 1 0 0		2 3	3 3	KN 3 3 0 1 1 0		3 1	1
KL 3 2 0 0 0 0		5	2 4	KN 3 3 0 1 3 0		2 1	1 5
KL 3 2 0 0 2 0		5	2 2	KN 3 3 0 2 4 0		2 1	1 0
KL 3 3 0 0 1 0		2 1	1 8	KN 3 3 0 2 5 0		2 1	4
KL 3 3 0 0 2 0		2 1	1 7	KN 3 3 2 0 1 0		2 1	1 3
KL 3 3 0 0 4 0		1 9	1 8	KN 4 5 0 3 0 0		2 9	8
KL 3 3 0 0 5 0		1 9	1 6	KN 4 5 0 3 0 0		3 3	2 0
KN 1 4 0 9 5 0		3	7	KN 4 5 0 3 1 1		3 3	5

# I N D E X

LIST	No.	PAGE No.	ITEM	LIST	No.	PAGE No.	ITEM
KN 4 7 0 1 5 1		2 9	4				
KN 4 7 0 1 6 1		3 1	1 1				
KN 4 8 0 0 6 1		2 7	1 4				
KN 4 8 0 0 6 1		3 3	1 1				
KN 4 8 0 1 2 0		2 5	1 0				
KN 4 8 0 4 0 0		2 5	2				
KN 4 8 2 0 0 0		2 7	1 5				
KN 4 8 2 0 0 0		3 3	1 9				
KN 4 8 2 0 1 0		2 7	1 1				
KN 4 8 2 6 2 0		3 3	2 2				
KN 4 8 2 8 7 1		2 7	4				
KN 4 8 2 8 8 0		2 7	6				
KN 4 8 2 8 9 0		3 3	4				
KN 4 8 3 4 0 0		2 7	2 0				
KN 4 8 3 4 1 0		3 3	1				
KN 4 8 3 4 2 0		3 3	1				
KN 4 8 3 4 3 0		3 3	1				
KN 4 8 3 4 4 2		2 7	3				
KN 4 8 3 4 5 0		2 7	1 3				
KN 4 8 3 4 5 0		3 3	2				
KN 4 8 3 4 6 0		2 7	3				
KN 4 9 0 1 2 1		3 1	8				
KN 4 9 0 1 3 0		3 1	7				
KN 4 9 0 1 4 0		3 1	5				
KN 4 9 0 1 5 0		3 1	4				
KN 5 1 1 0 2 0		2 3	2 8				
KN 5 4 0 5 1 0		5 1	8				
KT 2 3 0 0 0 0		9	1 9				
KT 2 3 0 0 1 0		9	1 7				
KT 2 3 0 0 3 0		9	1 0				
KT 2 3 0 0 4 0		9	1 6				
KT 2 3 0 0 5 0		9	3 6				
KT 3 3 0 0 0 0		1 9	1 2				
KU 4 6 0 2 7 0		2 9	1 0				
KU 4 6 0 2 7 0		3 3	1 0				
KU 4 6 0 3 4 2		2 9	1				
MT 4 6 0 2 4 0		2 9	6				
MT 4 6 0 2 4 0		3 3	9				
MT 7 1 0 0 0 0		4 1	9				
WW 3 1 0 2 1 0		2 3	2 3				